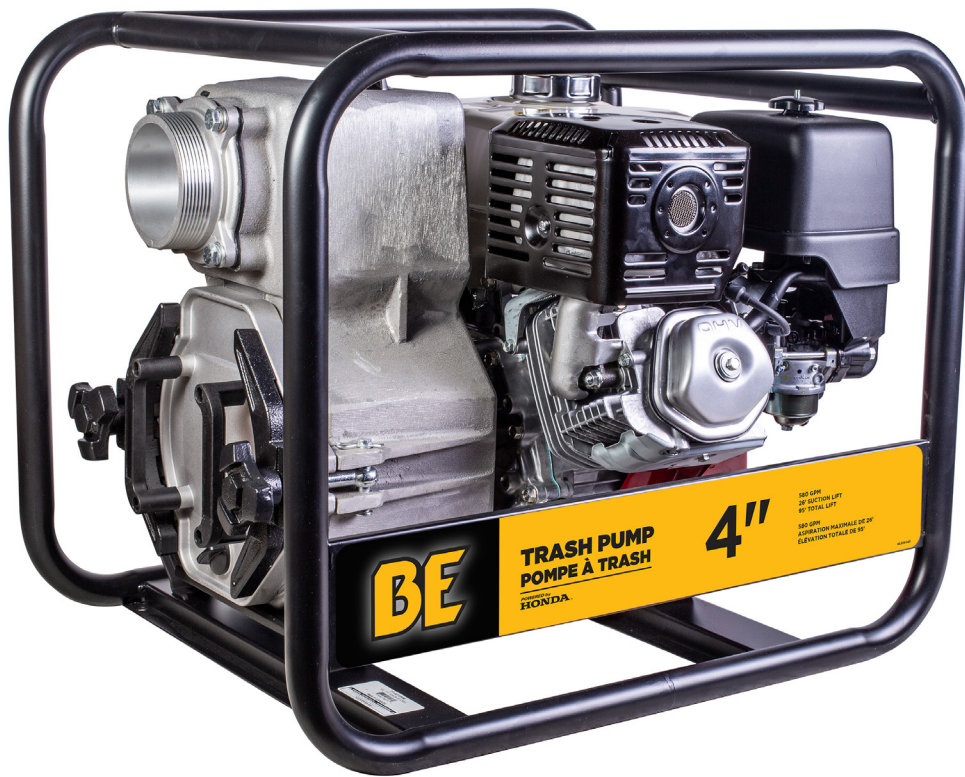




PARTS BREAKDOWN

4" TRASH PUMP

MODEL:TP-4013HM



BEPOWEREQUIPMENT

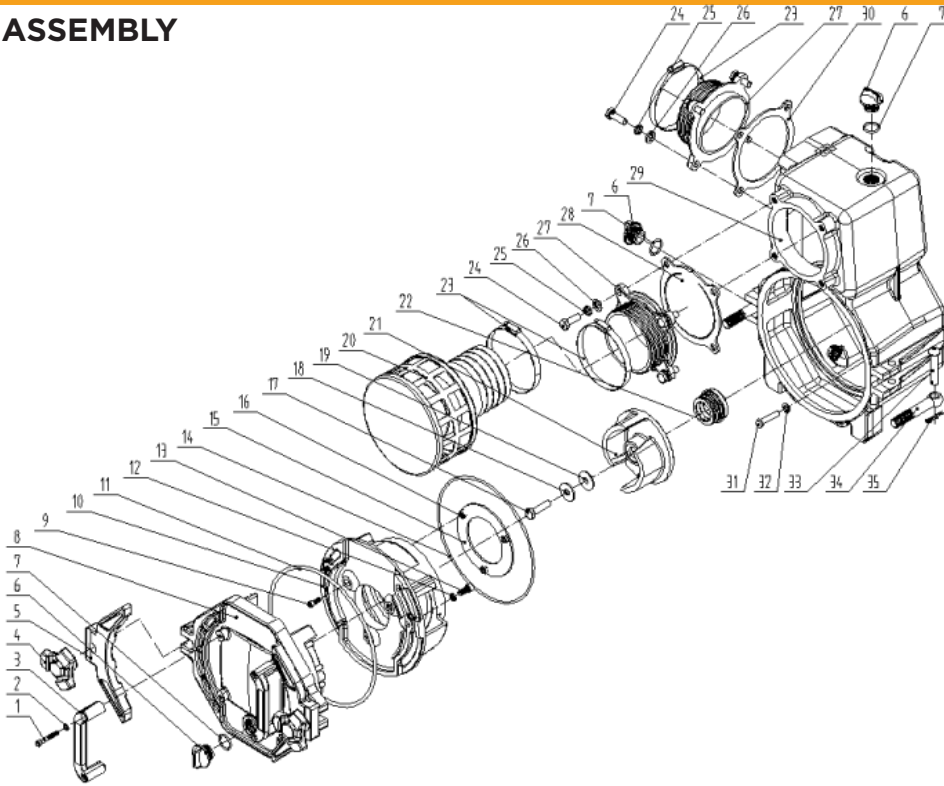
.COM



PARTS BREAKDOWN 4" TRASH PUMP

MODEL:TP-4013HM

WATER PUMP ASSEMBLY



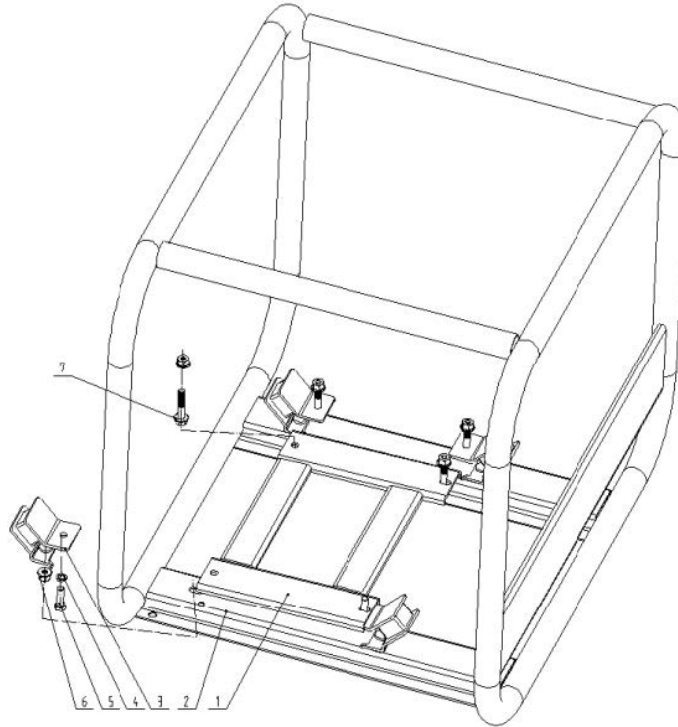
REF #	DESCRIPTION	QTY	BE PART #
3	HANDLE	2	50.103.409
4	TRIANGLE NUT	2	50.103.410
5	PUMP COVER PRESSING PLATER	2	50.103.411
6	G3/4"-14 SCREW PLUG	3	50.103.406
7	G3/4"-14 PLUG O-RING	3	
8	PUMP COVER	1	50.103.407
9	SCREW, M6X15 ALLAN HEAD (sold as each)	3	50.103.010
10	DIFFUSER	1	50.103.405
15	DIFFUSER PANEL	1	50.103.412
11	O-RING	1	50.103.413
14	DIFFUSER SEAL RING 219x3.5	1	
18	GASKET 10	1	
19	RUBBER PLUG	1	
28	FLAP VALVE	1	
30	DISCHARGE FLANGE RUBBER PAD	1	
32	GASKET 8.5x18x3	4	
20	FILTER MESH ASSEMBLY	1	50.103.404
21	IMPELLER	1	50.103.400
29	PUMP BODY	1	50.103.402
27	SUCTION FLANGE	1	50.103.415
33-35	SWING BOLT ASSEMBLY	2	50.103.403



PARTS BREAKDOWN 4" TRASH PUMP

MODEL:TP-4013HM

FRAME



REF #	DESCRIPTION	QTY	BE PART #
1	SUPPORT PLATE	1	50.103.408
2	FRAME	1	
3	SHOCK ABSORBER	4	50.102.154
4	SPRING WASHER	2	
5	OUTER HEXAGON BOLT M8 x 25	2	
6	SKID RESISTANT NUT WITH PAD M8	8	
7	OUTER HEXAGON BOLT M8 x 40	4	CHECK HARDWARE STORE

***CHECK WITH HONDA FOR ENGINE BREAKDOWN AND PARTS**

BE

POWER EQUIPMENT

If you need technical assistance call:

1-866-850-6662

(8:00am - 4:30pm PST, Mon - Fri)