



# PARTS BREAKDOWN

## 2" SEMI-TRASH PUMP

MODEL:TP-2065HT



**BEPOWEREQUIPMENT**

**.COM**

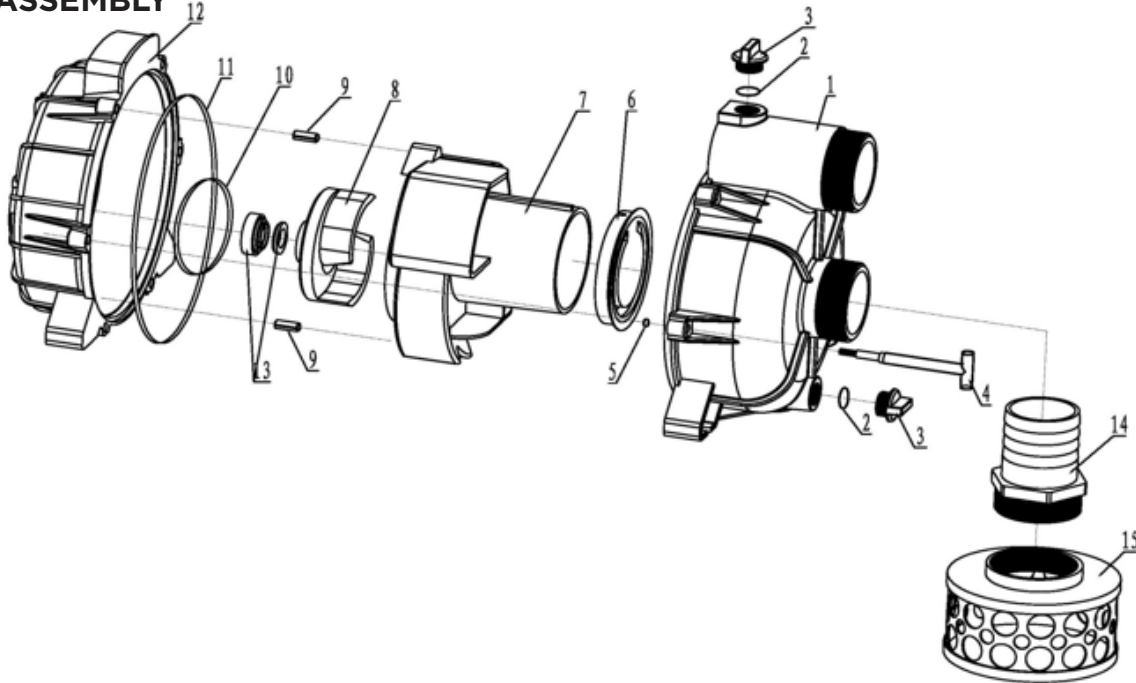


# PARTS BREAKDOWN

## 2" SEMI-TRASH PUMP

MODEL:TP-2065HT

### PUMP ASSEMBLY



REF #	DESCRIPTION	QTY	BE PART #
1	Pump Body	1	50.102.105
2	Plug	2	50.002.203
3	O-ring	2	
5	O-ring	6	50.102.103
6	Check Valve	1	
9	Spring Column Pin	2	
10	O-ring	1	
11	O-ring	1	
13	Mechanical Seal	1	
7	Diffuser	1	50.102.100F
8	Impeller	1	50.102.101F
12	Pump Cover	1	90850010BE
15	Strainer	1	50.002.014
**	Complete Pump Assembly	1	85.150.312F

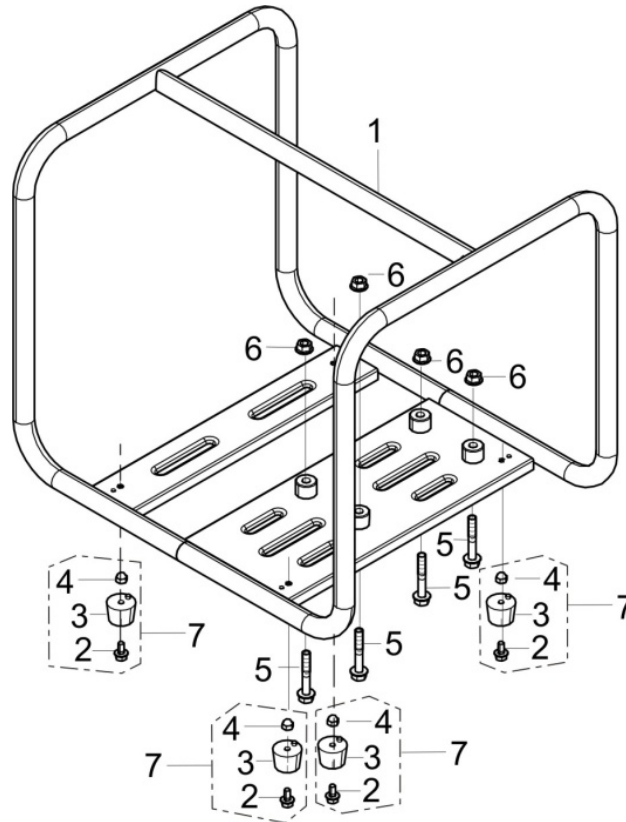


# PARTS BREAKDOWN

## 2" SEMI-TRASH PUMP

MODEL:TP-2065HT

### FRAME ASSEMBLY



REF #	DESCRIPTION	QTY	BE PART #
1	Frame	1	50.102.108
2	Bolt	4	50.002.205
3	Engine Frame Shock Absorption Seat	4	
4	Acorn Nut	4	

**\*CHECK WITH HONDA FOR ENGINE BREAKDOWN AND PARTS**

# BE

**THE POWER YOU NEED.**

---

If you need technical assistance call:

**1-866-850-6662**

(8:00am - 4:30pm PST, Mon - Fri)