



# PARTS BREAKDOWN

## HOT WATER PRESSURE WASHER

MODEL:HW2765HG



**BEPOWEREQUIPMENT**

**.COM**

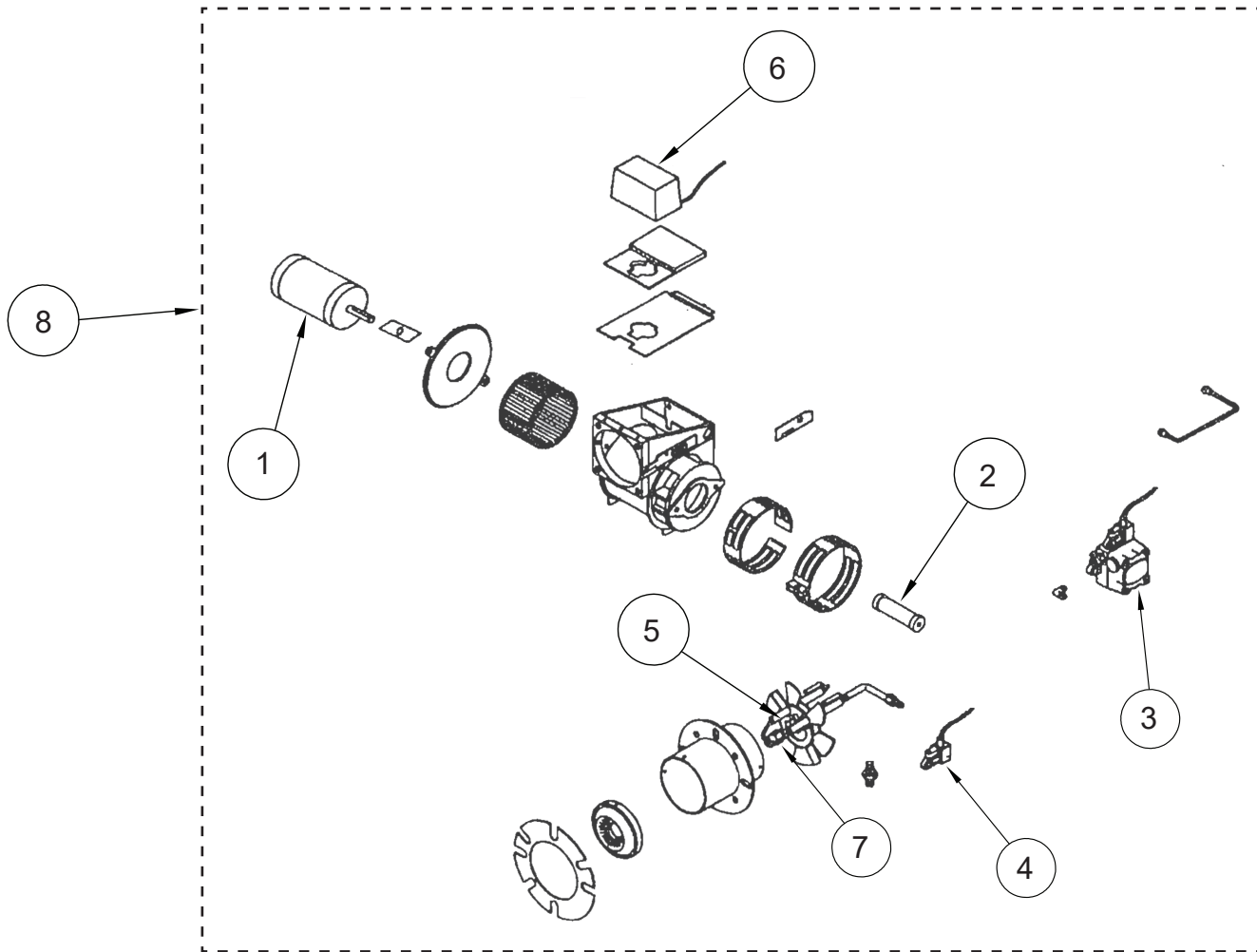


# PARTS BREAKDOWN

## HOT WATER PRESSURE WASHER

MODEL:HW2765HG

### MSR-DC WAYNE BURNER



REF #	DESCRIPTION	QTY	BE PART #
1	MOTOR	1	59.121.001
2	COUPLING	1	59.121.002
3	FUEL PUMP	1	59.121.003
4	FUEL SOLENOID	1	59.121.004
5	ELECTRODE ASSEMBLY (SET OF 2)	1	59.121.005
6	IGNITER	1	59.121.006
7	FUEL NOZZLE	1	59.280.100B
8	COMPLETE UNIT	1	59.120.000

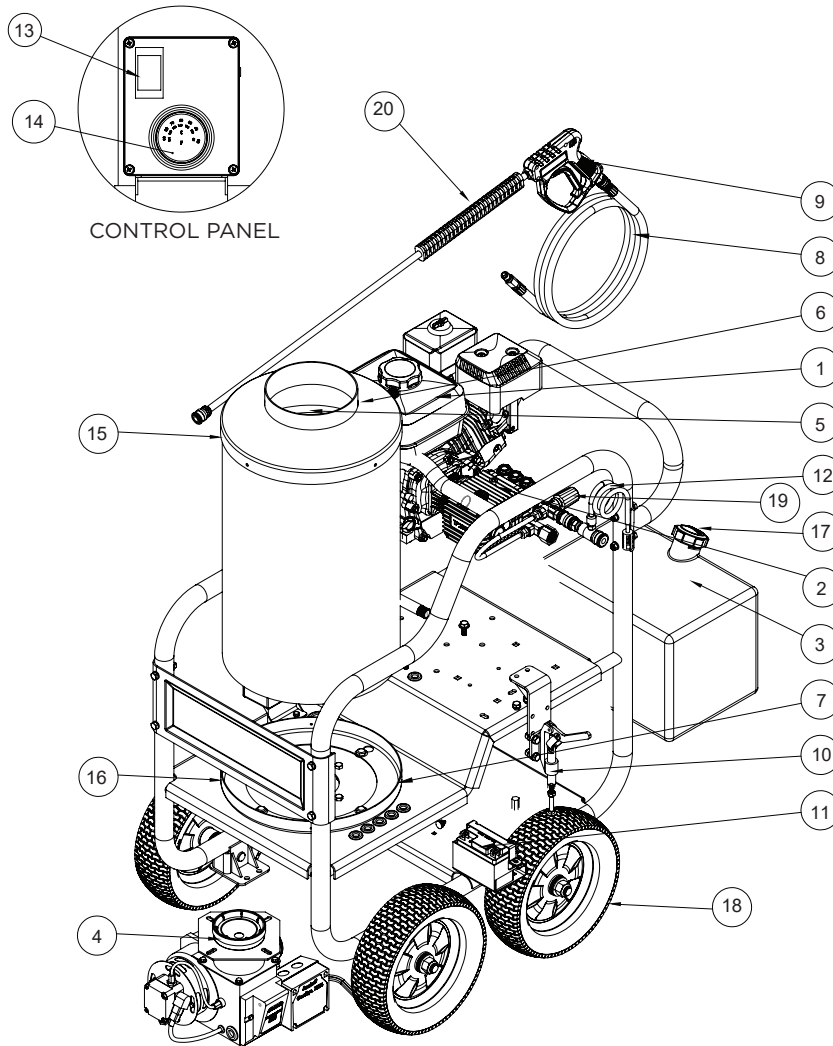


# PARTS BREAKDOWN

## HOT WATER PRESSURE WASHER

MODEL:HW2765HG

### OVERALL UNIT



REF #	DESCRIPTION	QTY	BE PART #
1	HONDA ENGINE, GX200	1	N/A
2	PUMP ASSEMBLY, GP TP2530J34	1	85.130.020SPB
3	6 GALLON DIESEL FUEL TANK	1	85.601.044
4	WAYNE BURNER	1	59.120.000
5	HEATER COIL	1	59.000.030
6	CAP, COIL	1	59.000.301-BLK
7	BOTTOM RING, COIL	1	59.000.302-BLK
8	HIGH PRESSURE HOSE, 50FT	1	85.238.251
9	SPRAY GUN (DOESN'T INCLUDE LANCE)	1	85.205.064
10	BRAKE ASSEMBLY	1	85.604.104
11	BATTERY	1	85.603.002
12	DETERGENT INJECTOR ASSEMBLY	1	85.400.000

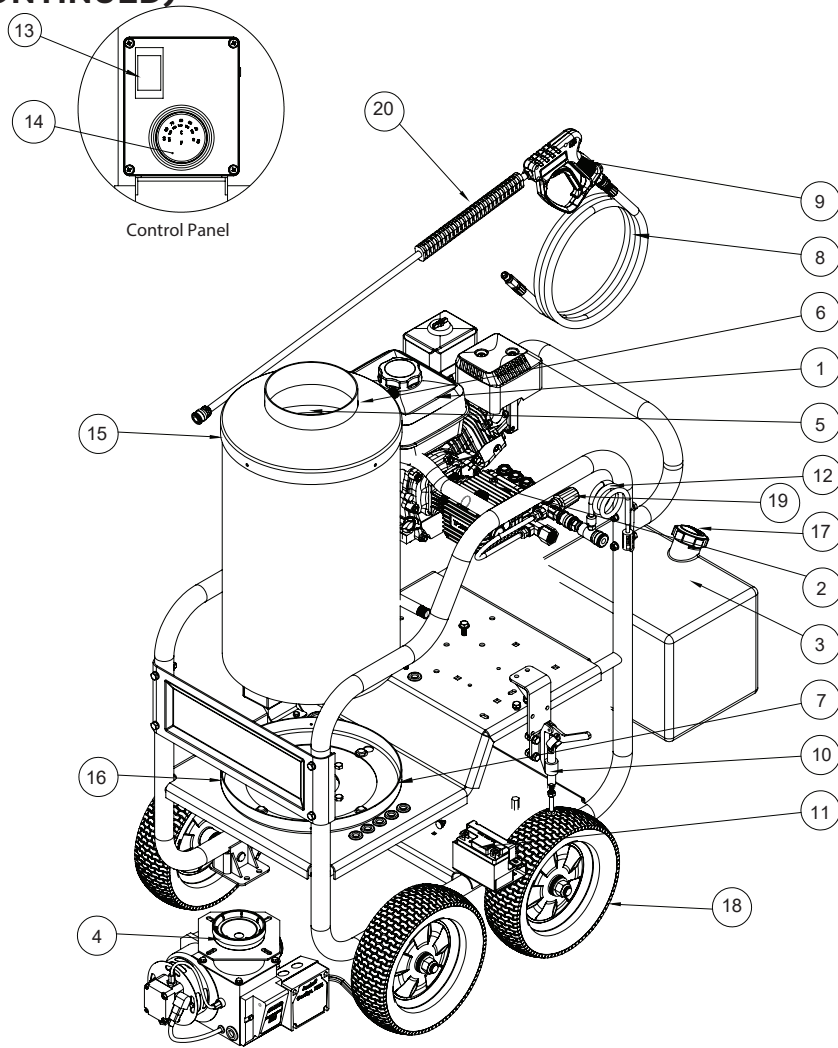


# PARTS BREAKDOWN

## HOT WATER PRESSURE WASHER

MODEL:HW2765HG

### OVERALL UNIT (CONTINUED)



REF #	DESCRIPTION	QTY	BE PART #
13	ON/OFF SWITCH	1	85.504.028
14	THERMOSTAT, WITH INNER PROBE	1	85.400.071
15	INSULATION, TOP	1	59.000.303
16	INSULATION, BOTTOM	1	59.000.304
17	DIESEL FUEL CAP	1	59.000.123
18	WHEEL	4	85.660.054BF
19	UNLOADER	1	85.300.003
20	36" LANCE (DOESNT INCLUDE GUN TRIGGER)	1	85.202.026
NOT SHOWN	SPRAY NOZZLE SET, 0°,15°,25°,40°, SOAP	1	85.210.040H

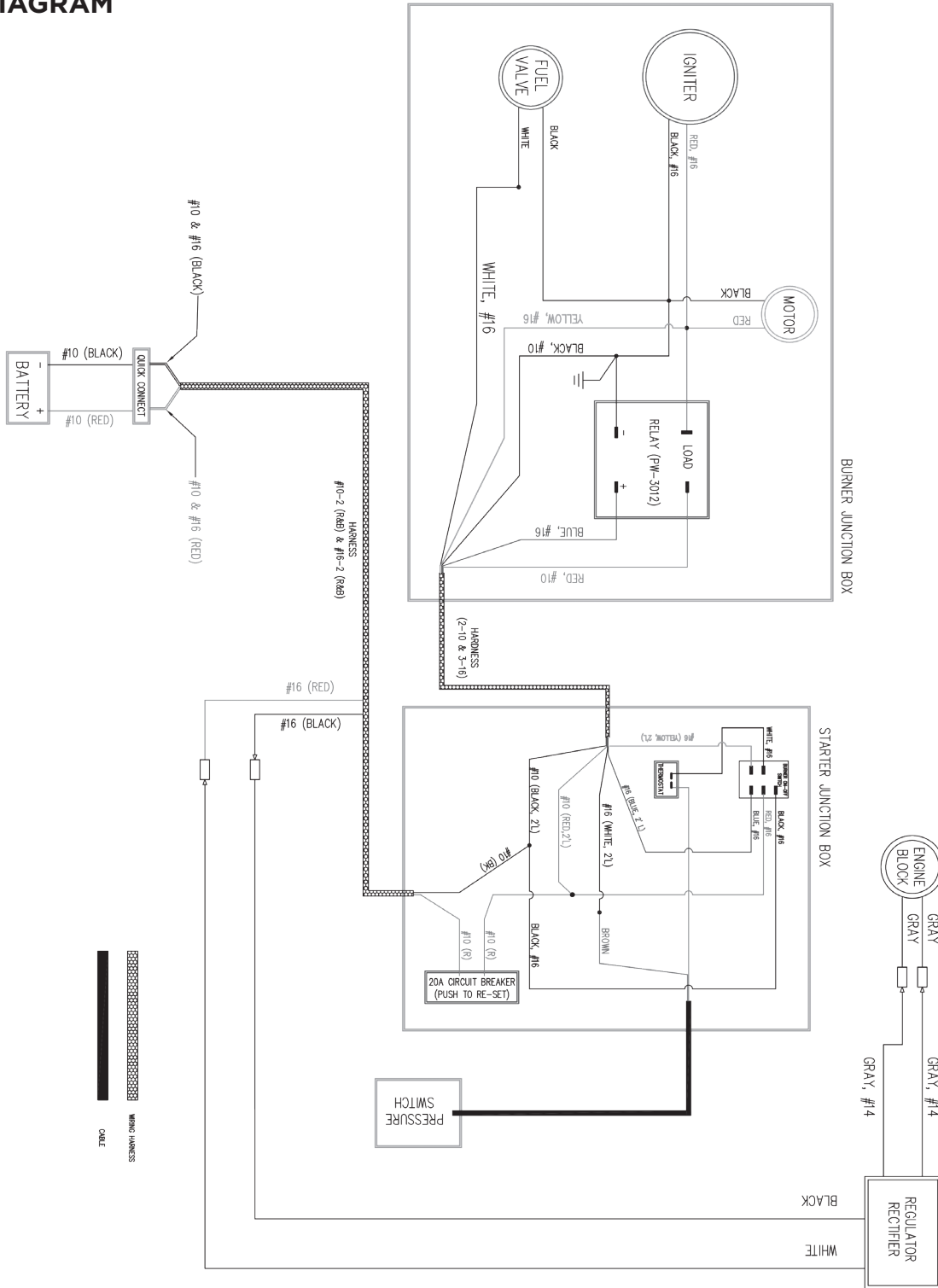




# PARTS BREAKDOWN HOT WATER PRESSURE WASHER

MODEL:HW2765HG

## WIRING DIAGRAM



# BE

**POWER EQUIPMENT**

---

If you need technical assistance call:

**1-866-850-6662**

(8:00am - 4:30pm PST, Mon - Fri)