



PARTS BREAKDOWN HIGH-PRESSURE PUMP CART

MODEL:HPFC-2065HR



BEPOWEREQUIPMENT

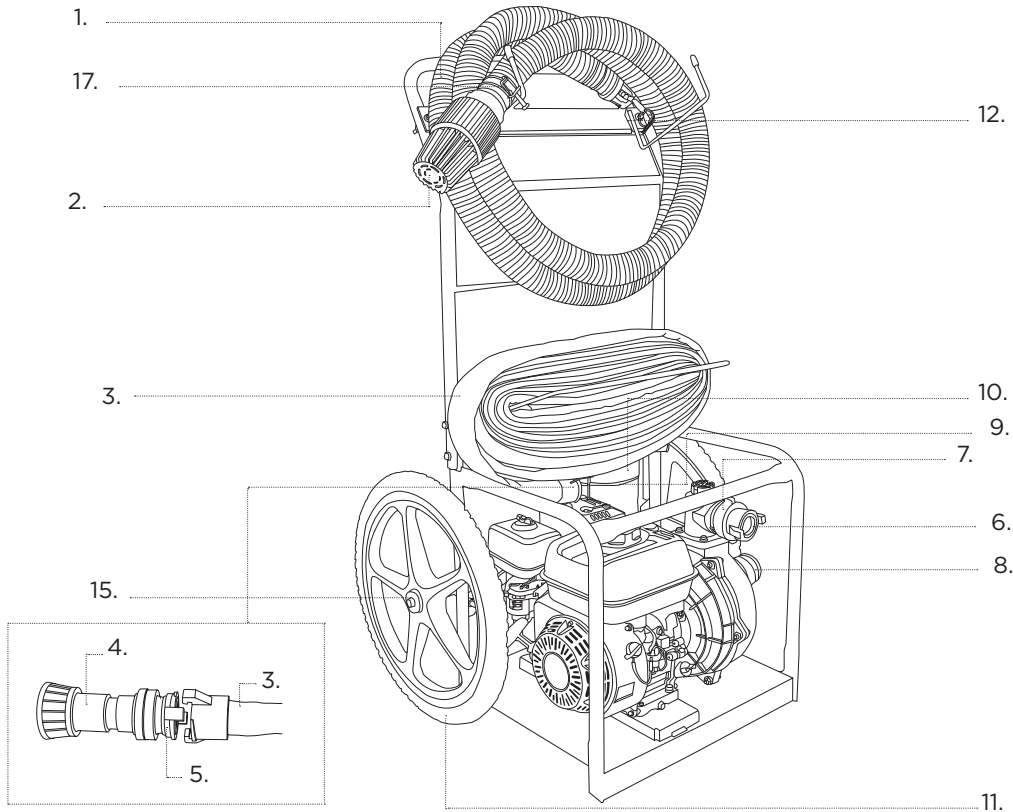
.COM



PARTS BREAKDOWN HIGH-PRESSURE PUMP CART

MODEL:HPFC-2065HR

CART ASSEMBLY



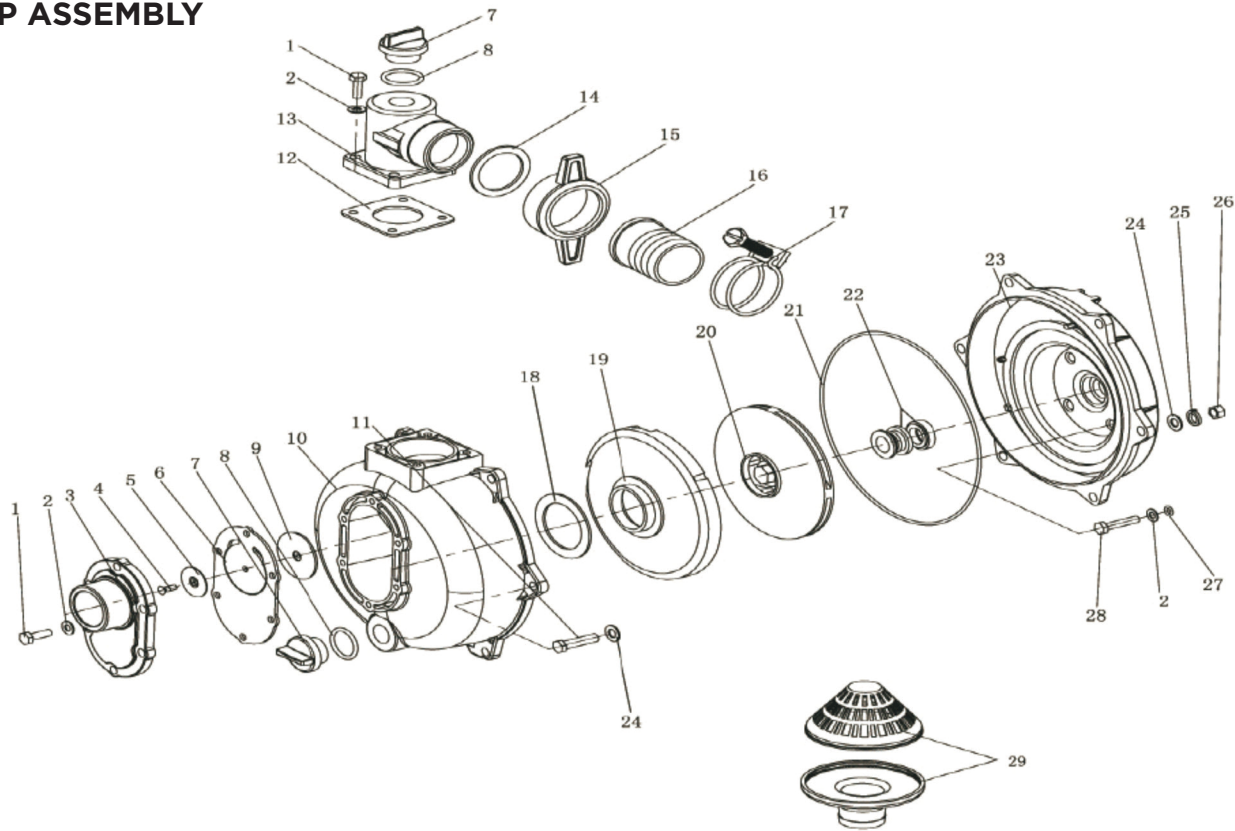
| REF # | DESCRIPTION | QTY | BE PART # |
|-------|--------------------------------|-----|-------------|
| 1 | Suction Hose with Foot Valve | 1 | 85.400.079 |
| 2 | Foot Valve | 1 | 50.002.301 |
| 3 | Fire Hose, 1.5" x 50' | 1 | 50.015.001 |
| 4 | Spray Nozzle | 1 | 50.015.002 |
| 5 | Adapter, Fire Hose x 1.5" MNPT | 1 | 50.015.003 |
| 6 | Adapter, Fire Hose x 1.5" | 1 | 50.015.004 |
| 7 | Adapter, Reducer, 2" x 1.5" | 1 | 50.015.007 |
| 8 | Adapter, 2" Female NPT | 1 | 90.390.200 |
| 10 | Priming Jug Holder | 1 | 85.601.010 |
| 11 | Fire Cart Wheels | 2 | 85.660.123N |
| 15 | Wheel Mounting Hardware | 2 | 90250024BE |
| 12 | Suction Hose Hangar | 1 | 90250010BE |



PARTS BREAKDOWN HIGH-PRESSURE PUMP CART

MODEL:HPFC-2065HR

PUMP ASSEMBLY



| REF # | DESCRIPTION | QTY | BE PART # |
|-------|--------------------------|-----|-------------|
| 3 | Water Inlet | 1 | 85.571.142 |
| 13 | Water Outlet | 1 | |
| 6 | Water Inlet Gasket | 1 | 85.571.143F |
| 12 | Outlet Gasket | 1 | |
| 18 | Whorl Case Sealing Ring | 1 | |
| 21 | Water Pump Joint Cushion | 1 | |
| 22 | Porcelain Seal | 1 | |
| 23 | Impeller Seal | 1 | |
| 24 | Mechanism Seal Assy | 1 | |
| 27 | Gasket | 4 | |
| 7 | Thread Plug | 2 | 50.002.263 |
| 8 | Screw Plug Washer | 2 | |
| 10 | Pump Body | 1 | 85.571.145 |
| 19 | Whorl Case | 1 | 85.571.146F |
| 20 | Water Pump Impeller | 1 | 85.571.141F |
| 23 | Water Pump Joint | 1 | 85.571.147F |

BE

POWER EQUIPMENT

If you need technical assistance call:

1-866-850-6662

(8:00am - 4:30pm PST, Mon - Fri)