



PARTS BREAKDOWN INVERTER GENERATOR

MODEL:BE4000i



05012024

BEPOWEREQUIPMENT

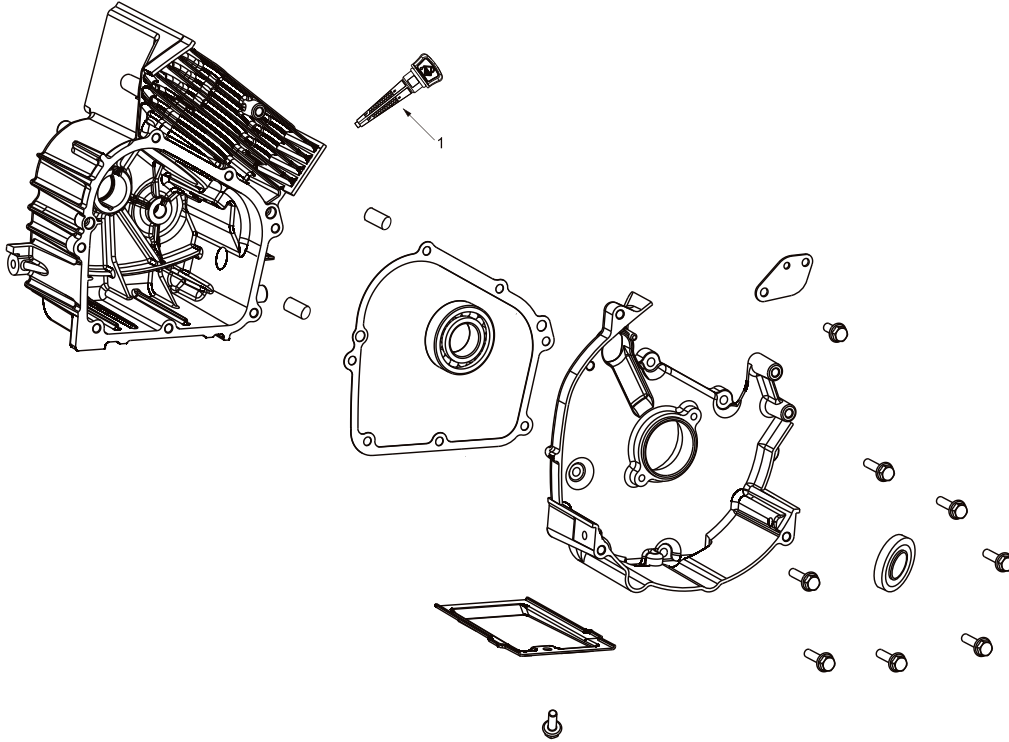
.COM



PARTS BREAKDOWN INVERTER GENERATOR

MODEL:BE4000i

CRANKCASE



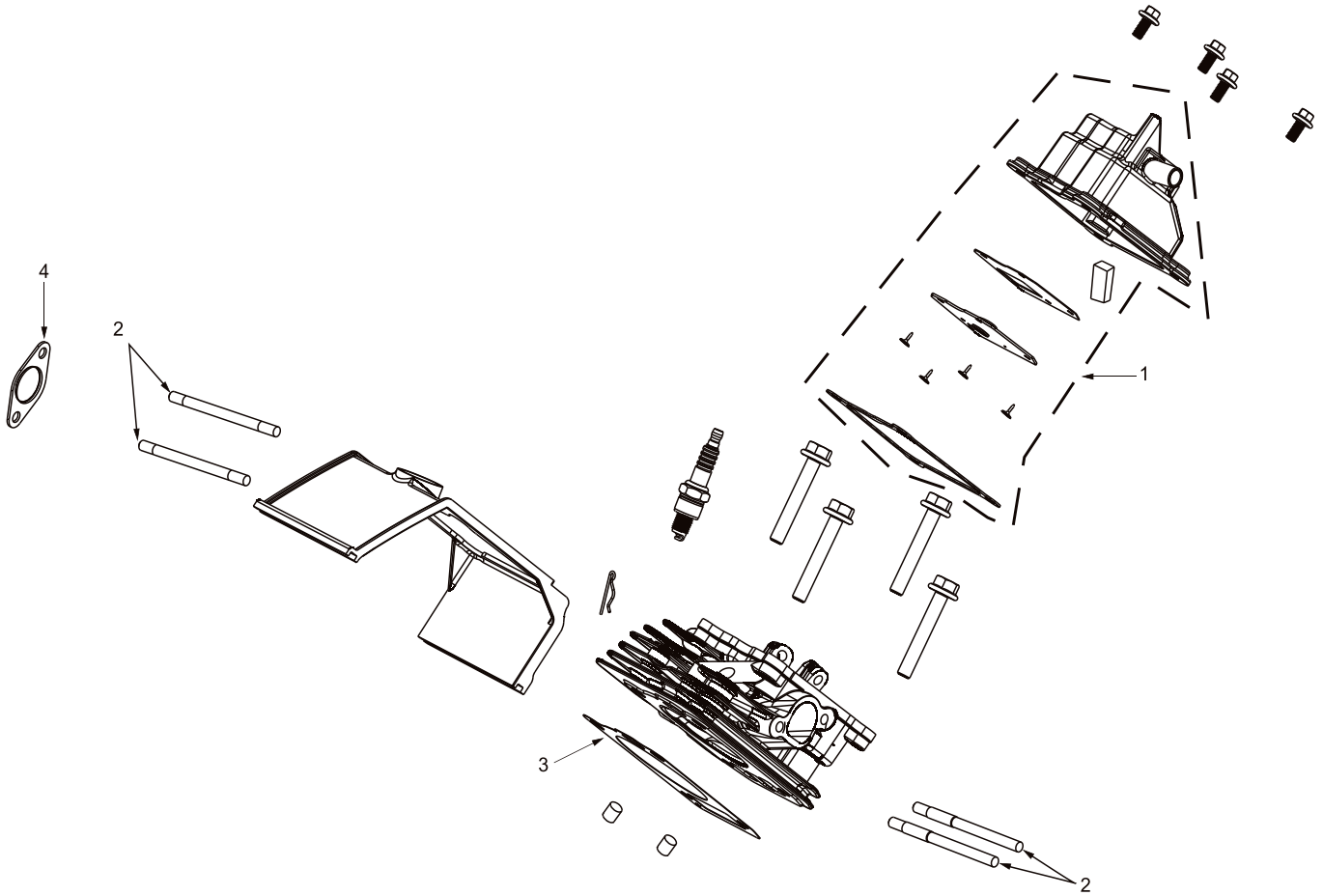
REF #	DESCRIPTION	QTY	BE PART #
1	MAGNETIC DIPSTICK	1	85.561.043



PARTS BREAKDOWN INVERTER GENERATOR

MODEL:BE4000i

CYLINDER HEAD COVER ASSEMBLY



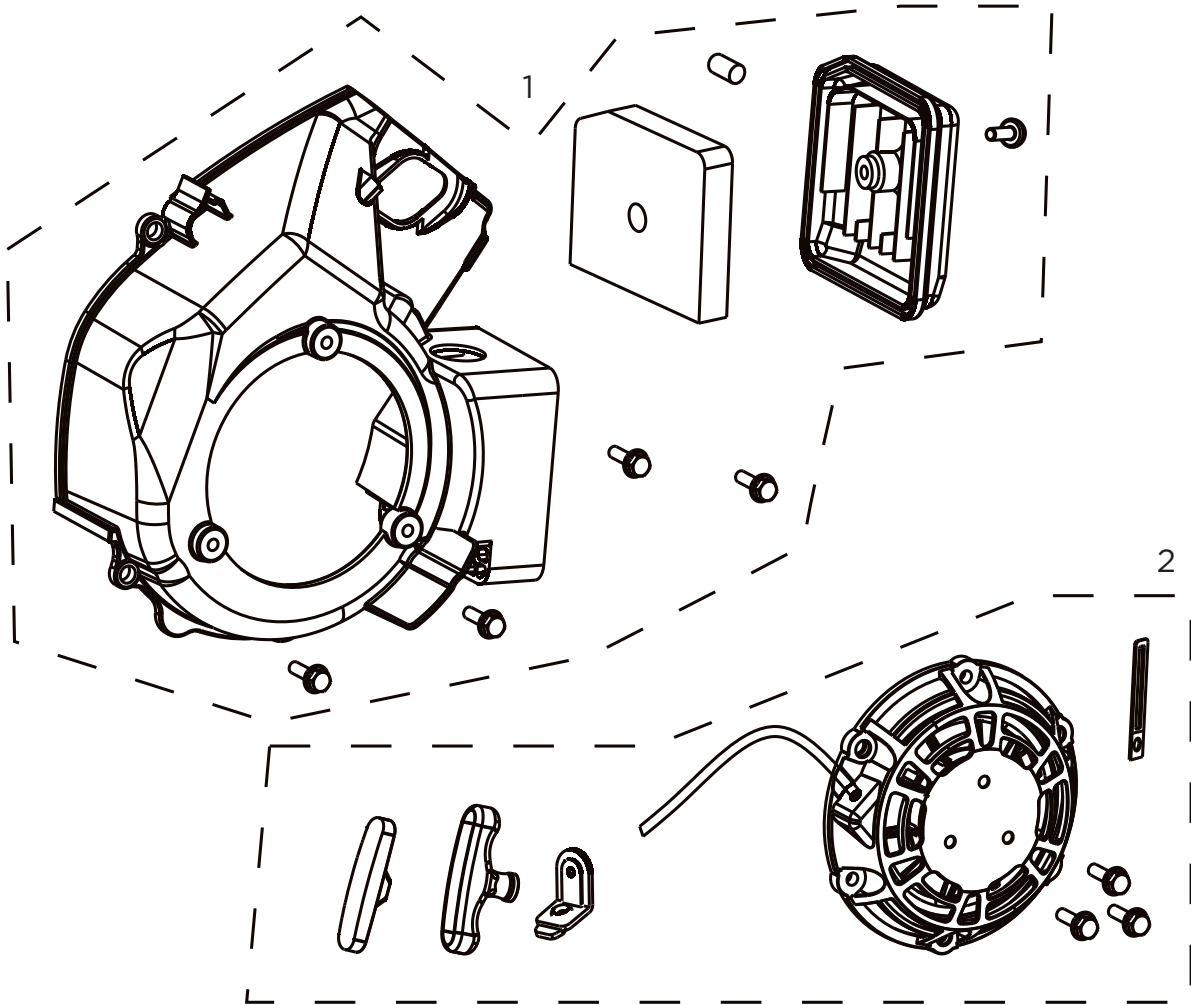
REF #	DESCRIPTION	QTY	BE PART #
1	CYLINDER HEAD COVER	1	85.561.099
2	STUDS BOLT	2+2	85.561.106
3	CYLINDER HEAD GASKET	1	85.561.100
4	EXHAUST PORT GASKET	1	85.561.107



PARTS BREAKDOWN INVERTER GENERATOR

MODEL:BE4000i

ENGINE STARTER



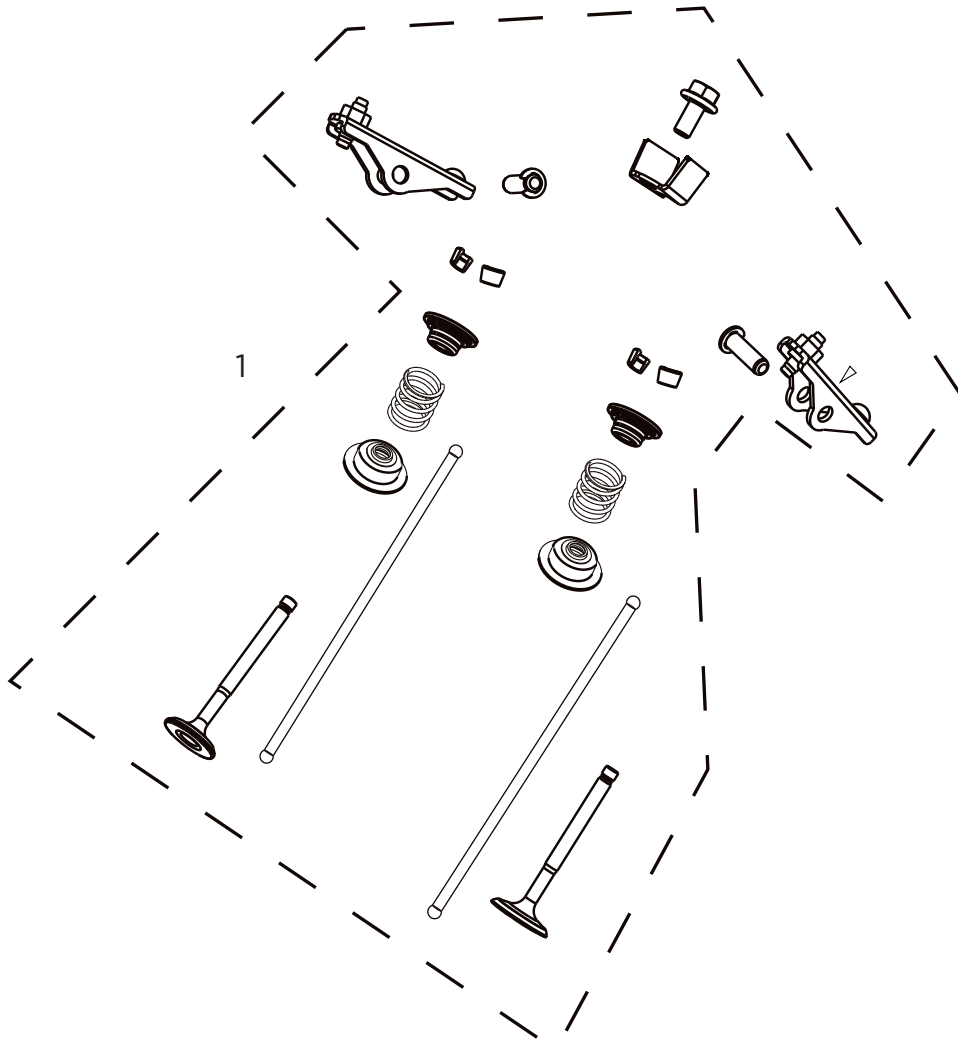
REF #	DESCRIPTION	QTY	BE PART #
1	FAN SHROUD W/AIR FILTER	1	85.561.044
2	RECOIL ASSEMBLY	1	85.561.045



PARTS BREAKDOWN INVERTER GENERATOR

MODEL:BE4000i

VALVE ASSEMBLY



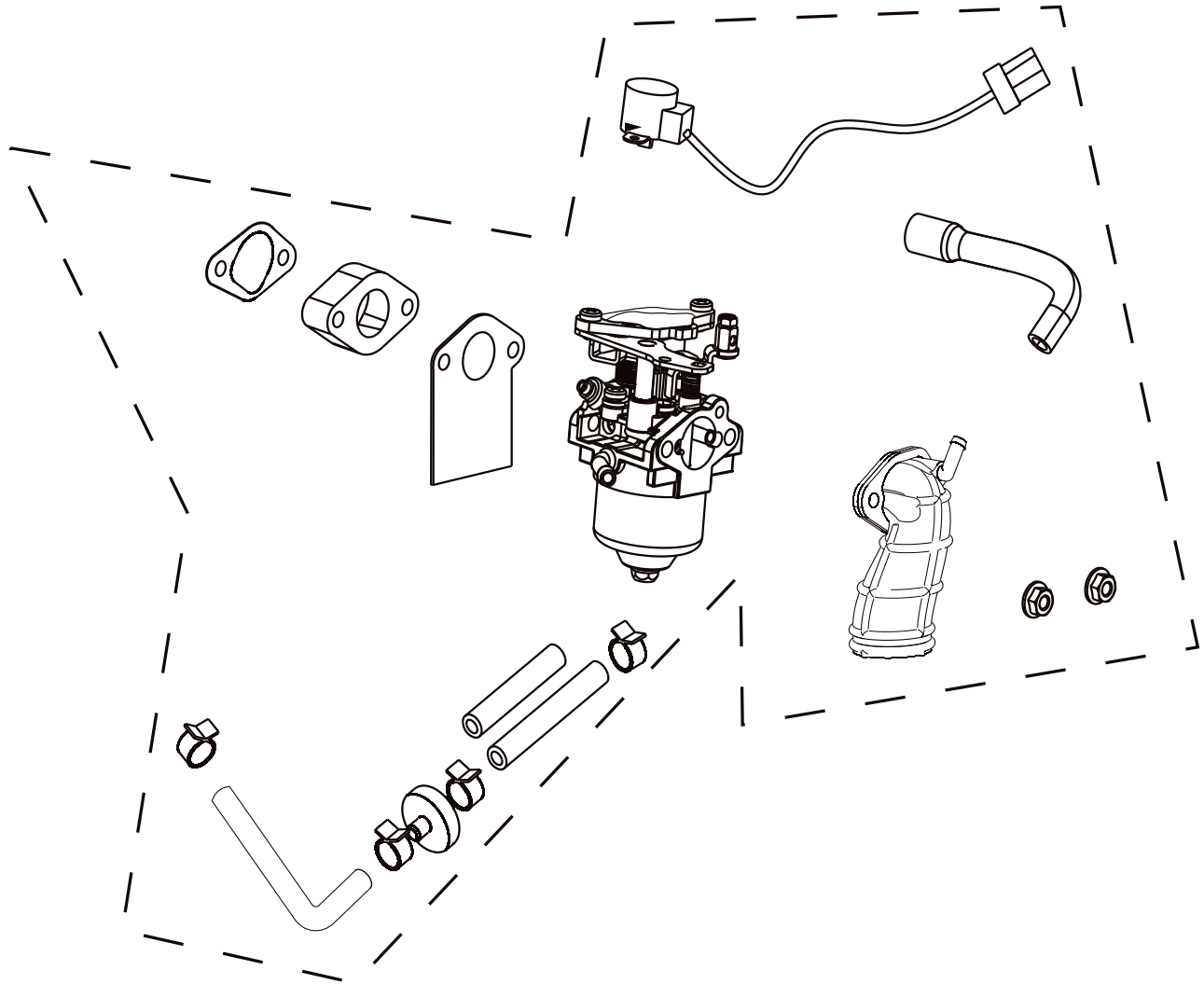
REF #	DESCRIPTION	QTY	BE PART #
1	VALVE ASSEMBLY	1	85.561.101



PARTS BREAKDOWN INVERTER GENERATOR

MODEL:BE4000i

CARBURETOR PARTS



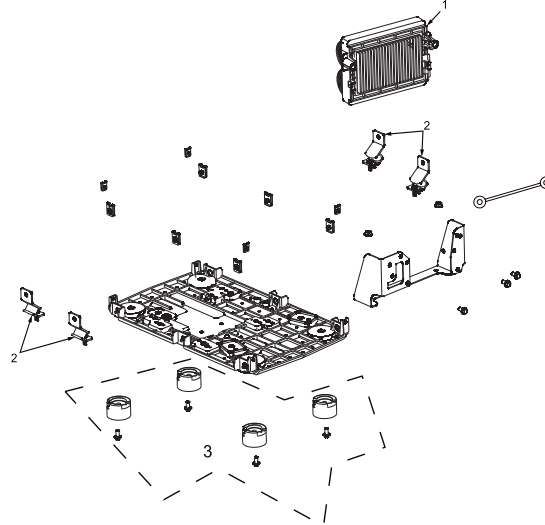
REF #	DESCRIPTION	QTY	BE PART #
1	CARBURETOR ASSEMBLY	1	85.561.046



PARTS BREAKDOWN INVERTER GENERATOR

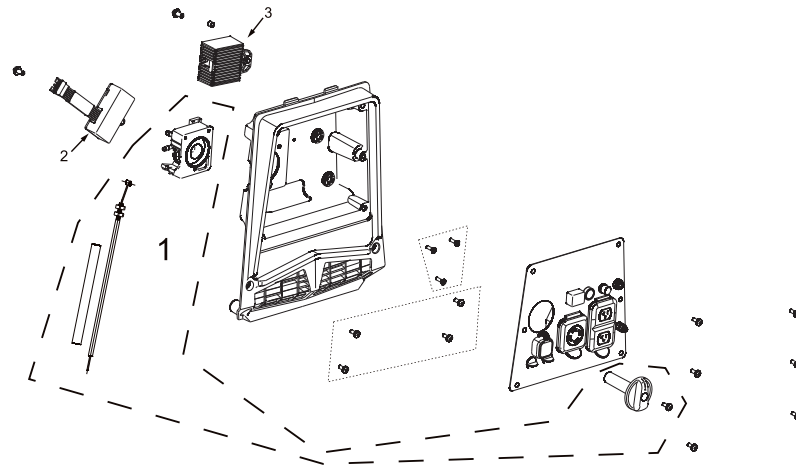
MODEL:BE4000i

BACKPLANE / INVERTER



REF #	DESCRIPTION	QTY	BE PART #
1	INVERTER	1	85.561.047
2	SHOCK ABSORBERS	4	85.561.105
3	FEET W/HARDWARE	1	85.561.102

PANEL



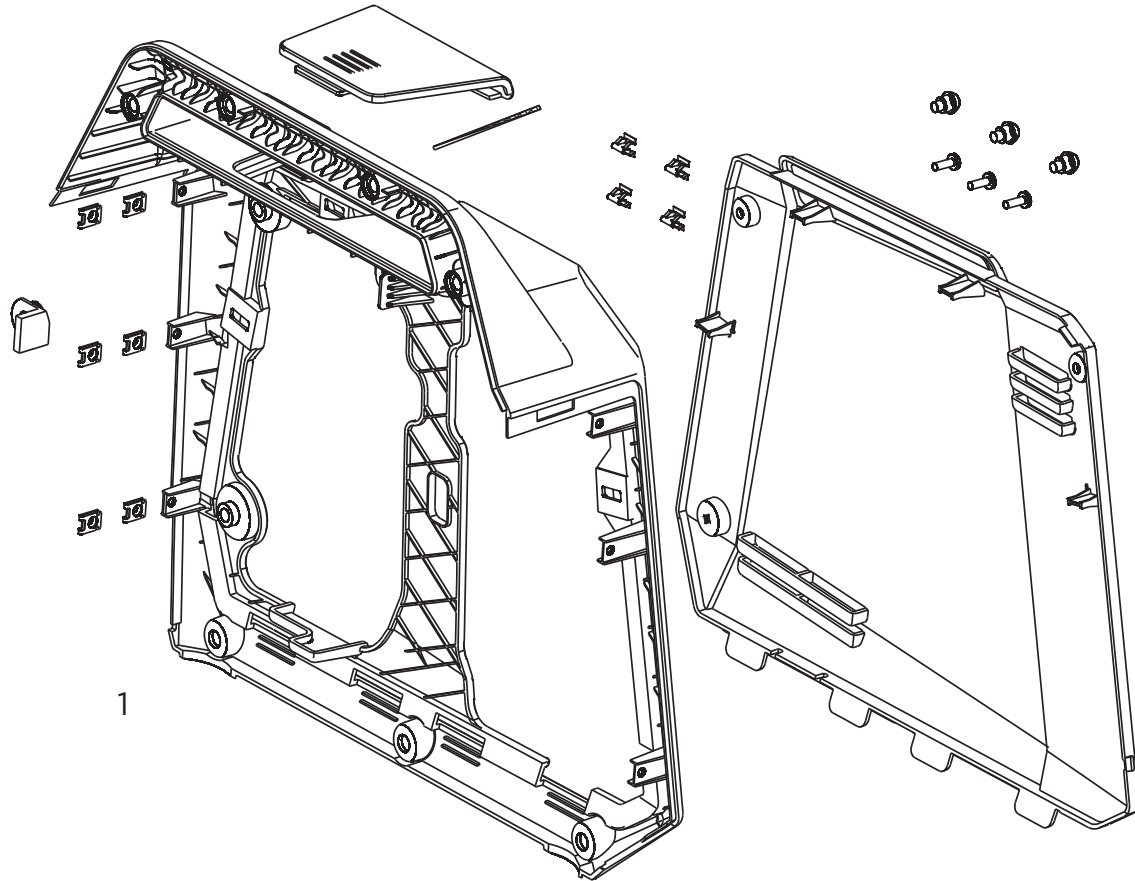
REF #	DESCRIPTION	QTY	BE PART #
1	COMBINATION SWITCH	1	85.561.049
2	CO ALARM	1	85.561.048
3	VOLTAGE REGULATING RECTIFIER	1	85.561.103



PARTS BREAKDOWN INVERTER GENERATOR

MODEL:BE4000i

RIGHT EXTERIOR COVER



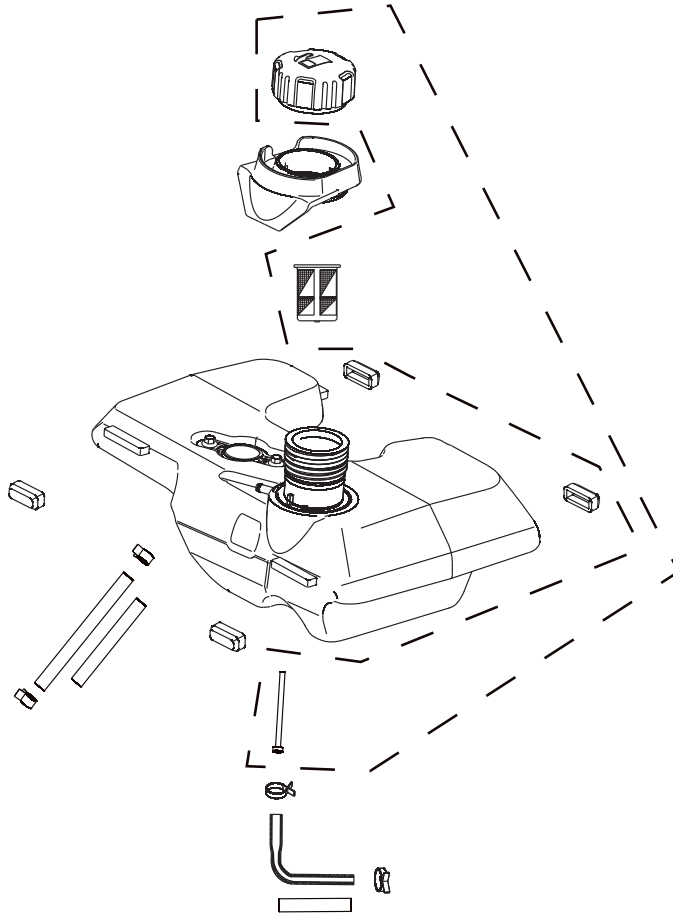
REF #	DESCRIPTION	QTY	BE PART #
1	RIGHT COVER ASSEMBLY	1	85.561.104



PARTS BREAKDOWN INVERTER GENERATOR

MODEL:BE4000i

FUEL TANK COMPONENTS



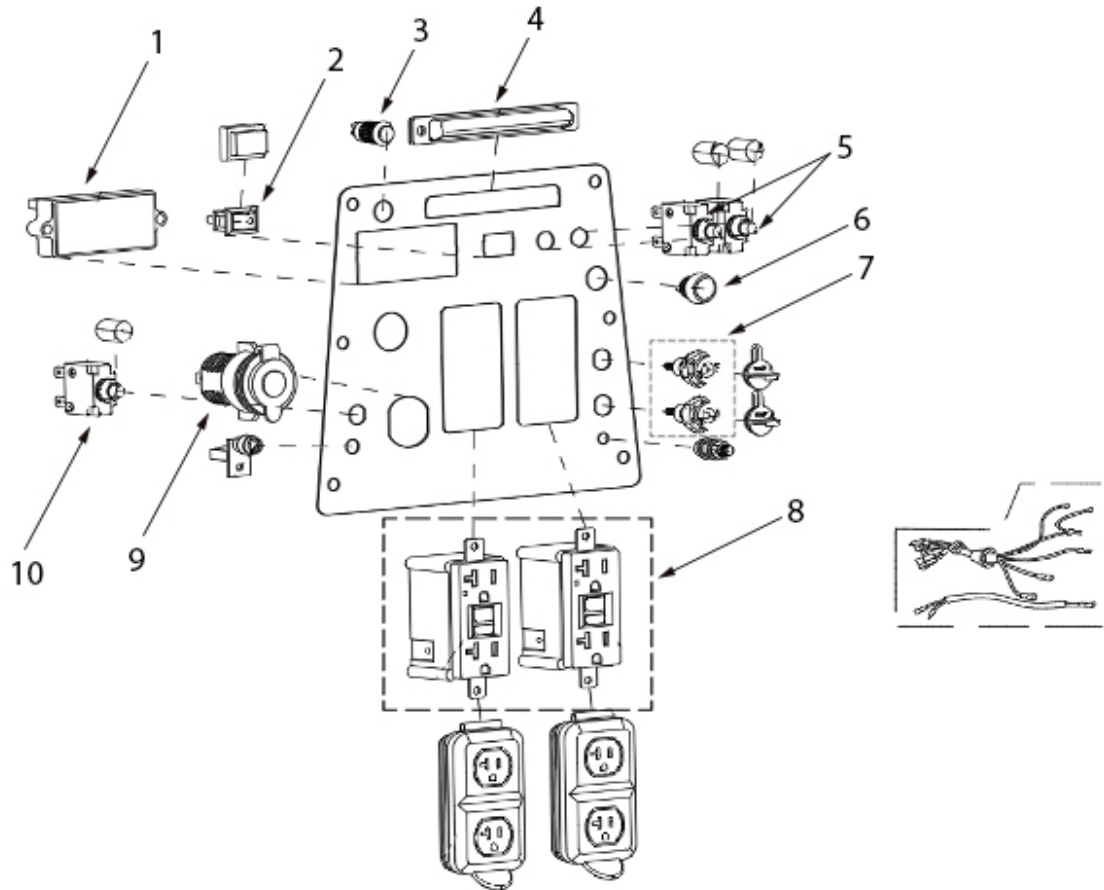
REF #	DESCRIPTION	QTY	BE PART #
1	TANK CAP, FUEL FILTER, FILT TIP	1	85.561.050



PARTS BREAKDOWN INVERTER GENERATOR

MODEL:BE4000i

CONTROL PANEL



REF #	DESCRIPTION	QTY	BE PART #
1	MULTIFUNCTIONAL DIGITAL DISPLAY TABLE	1	85.561.164
2	IDLESWITCH	1	85.561.153
3	LED SWITCH	1	85.561.136
4	LED LIGHT	1	85.561.155
5	PROTECTOR 20A	2	85.561.141
6	RESET SWITCH	1	85.561.165
7	PARALLEL SOCKET	2	85.561.166
8	AC RECEPTACLE(GFCI) AC125V/20A	2	85.561.146
9	DC12V	1	85.561.148
10	DC THERMAL PROTECTION 8A	1	85.561.147

BE

POWER EQUIPMENT

If you need technical assistance call:

1-866-850-6662

(8:00am - 4:30pm PST, Mon - Fri)