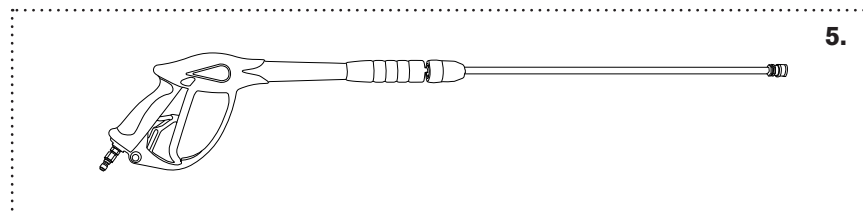
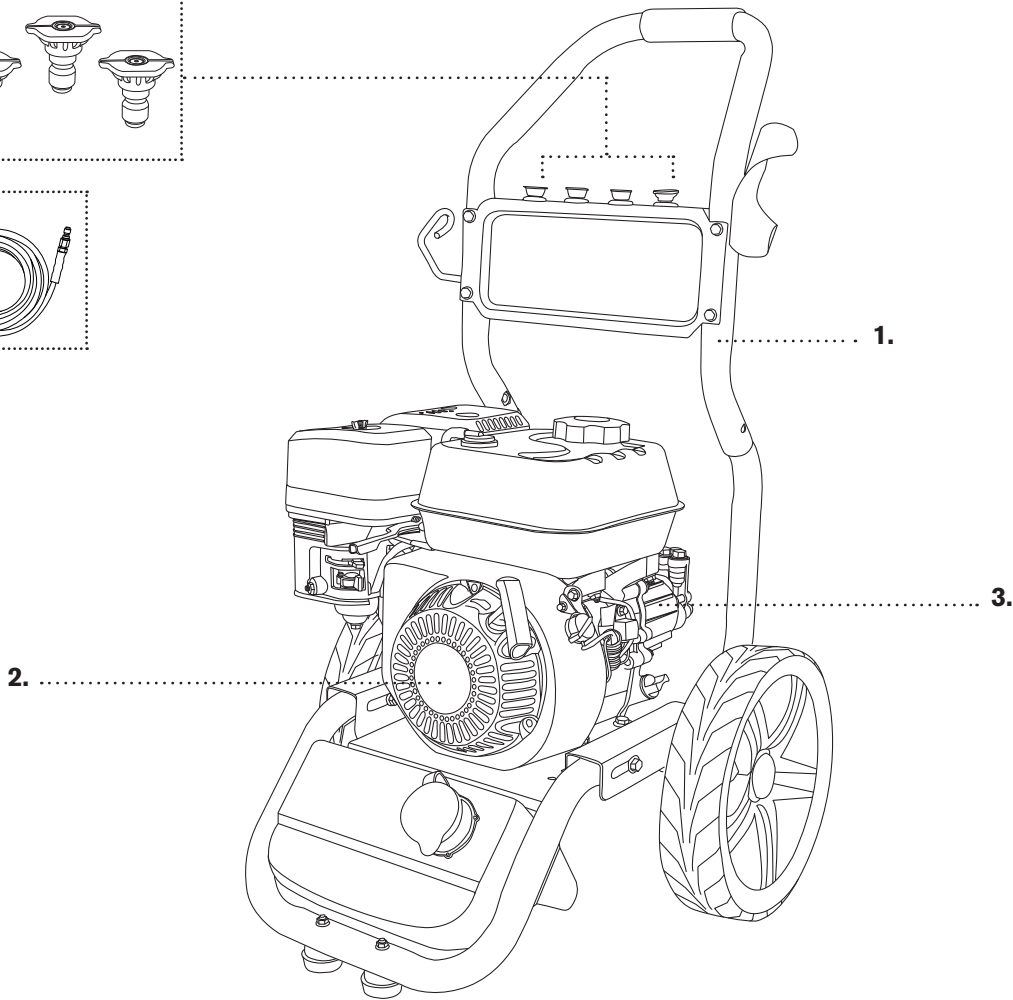
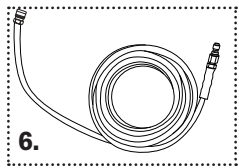
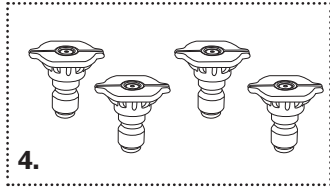




PRESSURE WASHER BREAKDOWN

BE317RA

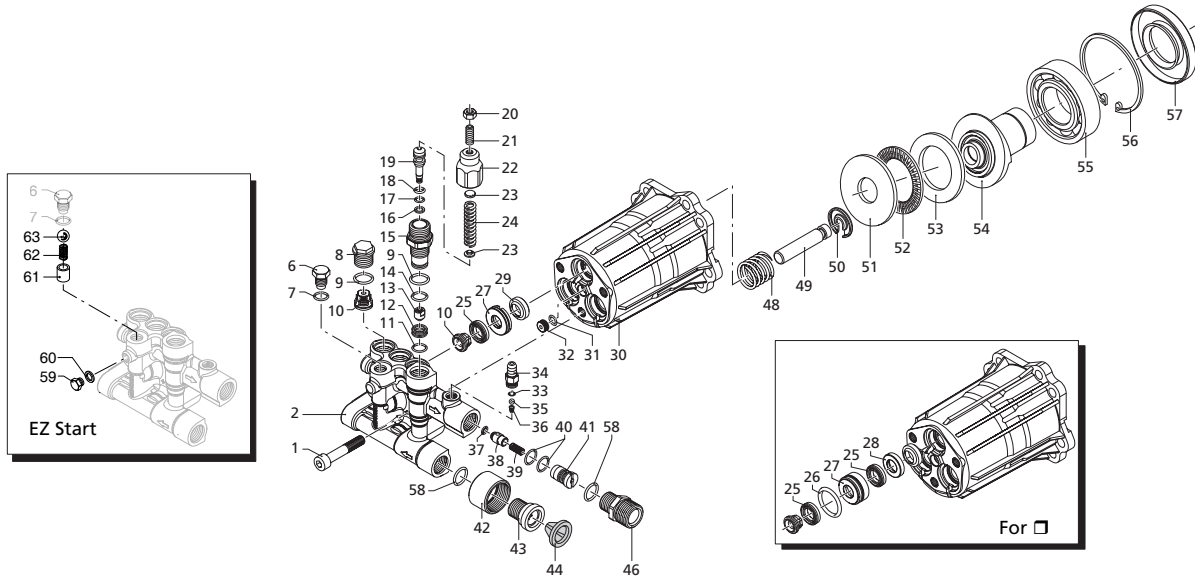


REF #	DESCRIPTION	PART #
1	Frame	85.600.122H
2	Engine - Powerease	85.570.070
3	Pump - RMV25G30D-EZ	85.120.035B
4	Nozzle Set	85.210.030
5	Gun & Wand Assembly	85.205.050
6	Hose 25' x 3/8"	85.225.229N

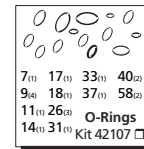
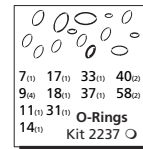
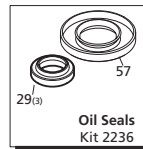
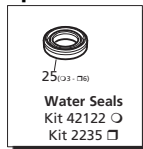
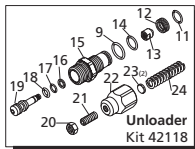


PRESSURE WASHER BREAKDOWN

BE317RA



Repair Kits



Pos	Code	Description	Qty.	Pos	Code	Description	Qty.
1	800220	Head bolt M8x45	(221 in/lbs) 3	37	1460430	O-Ring ø4x2.5	1
2	2840860	Pump head	□ 1	38	2849004	Jet	1
6	2840660	Pump head	○ 1	39	1343580	Spring	1
6	2840830	Plug	1	40	800560	O-Ring ø8.73x1.78	2
7	600180	O-Ring ø7.66x1.78	1	41	2840340	Detergent injector	1
8	2840130	Plug	(221 in/lbs) 3	42	2840270	Suction fitting 3/4" NH	1
8	2841530	Plug - Aluminum	(221 in/lbs) 3	43	2840390	Suction fitting	1
9	2841520	O-Ring ø14x1.7	4	44	1266330	Filter	1
10	2849050	Complete valve	6	46	2840400	Outlet fitting	1
11	1470210	O-Ring ø9x1	1	48	2840060	Spring	3
12	2840770	Seat	1	49	2840530	Piston	○ 3
13	2840760	By-pass jet	1	2840040	Piston	□ 3	
14	820510	O-Ring ø10.82x1.78	1	50	2840050	Ring	3
15	2840750	Piston guide	1	51	1980130	Thrust washer	1
16	2760210	Ring	1	52	1980250	Bushing	1
17	660190	O-Ring ø6.07x1.78	1	53	1980240	Thrust washer	1
18	2260100	O-Ring ø6.02x2.62	1	54	2840900	Hollow shaft	○ 1
19	2760400	Piston	1	2840730	Hollow shaft	□ 1	
20	1980300	Nut M6	1	55	161060	Bearing	1
21	392840	Grub screw M6x16	1	56	161050	Circlip øi72	1
22	2760480	Handle insert	1	57	2840310	Seal	1
23	1980220	Plate spring	2	58	2840890	O-Ring ø14x2	2
24	2760410	Spring	1	59	2840840	Plug (EZ start pump only)	1
25	2200141	Gasket	3 or 6	60	480650	Washer (EZ start pump only)	1
26	770590	O-Ring ø23.52x1.78	□ 3	61	2840441	Seat (EZ start pump only)	1
27	2840561	Bushing - Plastic	○ 3	62	2840450	Spring (EZ start pump only)	1
27	2840090	Bushing - Brass	○ 3	63	1060100	Ball (EZ start pump only)	1
28	2840550	Bushing - 2 pc brass	□ 3				
28	2840540	Bushing - 2 pc brass	□ 3				
29	1683500	Oil seal	3				
30	2840230	Housing	1				
31	480560	O-Ring ø6.75x1.78	1				
32	2840710	Oil plug	1				
33	480480	O-Ring ø4.48x1.78	2				
34	1982520	Hose nipple	1				
35	1250280	Ball	1				
36	1560520	Spring	1				

Special Parts / Kits		
Code	Description	Qty.
2841340	3/8 Quick Connect Outlet	1
42125	Chemical Injection Kit	1

Legend

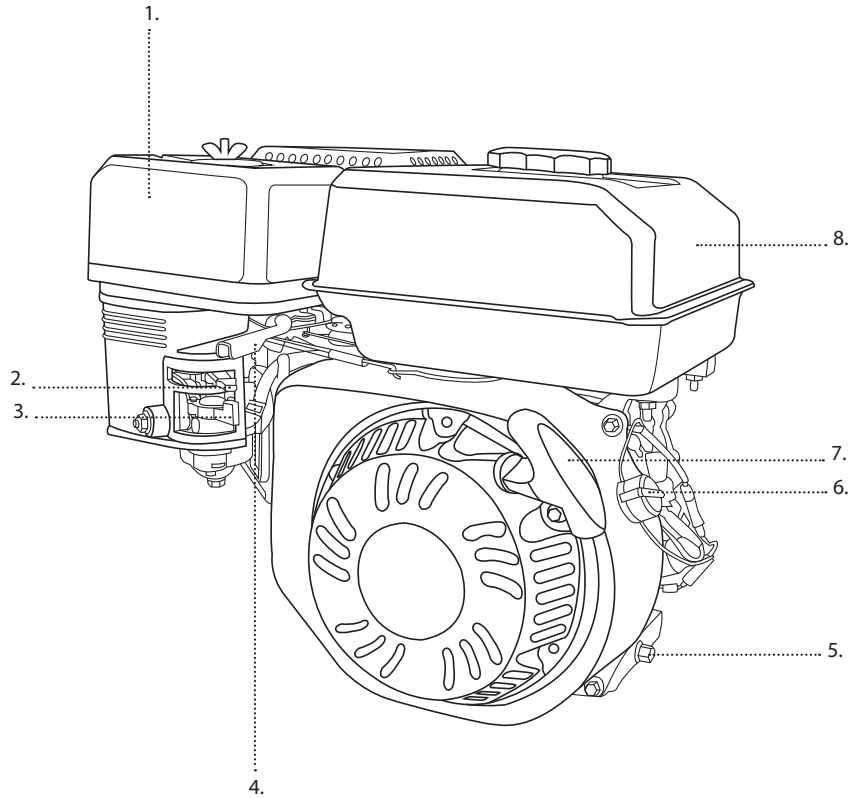
ø 12	ø 12
For ○	For □
RMV2G20	RMV2.5G25D
RMV2G25	RMV2.5G27D
RMV2G23B	RMV2.5G30D

AR64545 Oil
OIL CAPACITY - 2.2 OZ



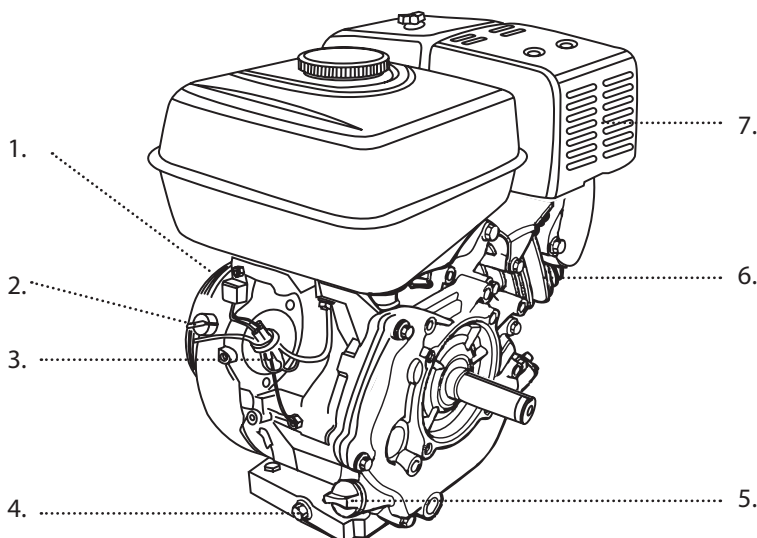
PRESSURE WASHER BREAKDOWN

BE317RA



FRONT

1. Air Filter
2. Choke
3. Fuel Valve
4. Throttle Lever
5. Oil Drain Plug
6. On/Off Switch
7. Recoil Starter Handle
8. Fuel Tank



BACK

1. Recoil Starter Housing
2. On/Off Switch
3. Wiring
4. Oil Drain Plug
5. Oil Dipstick
6. Spark Plug Cover
7. Exhaust