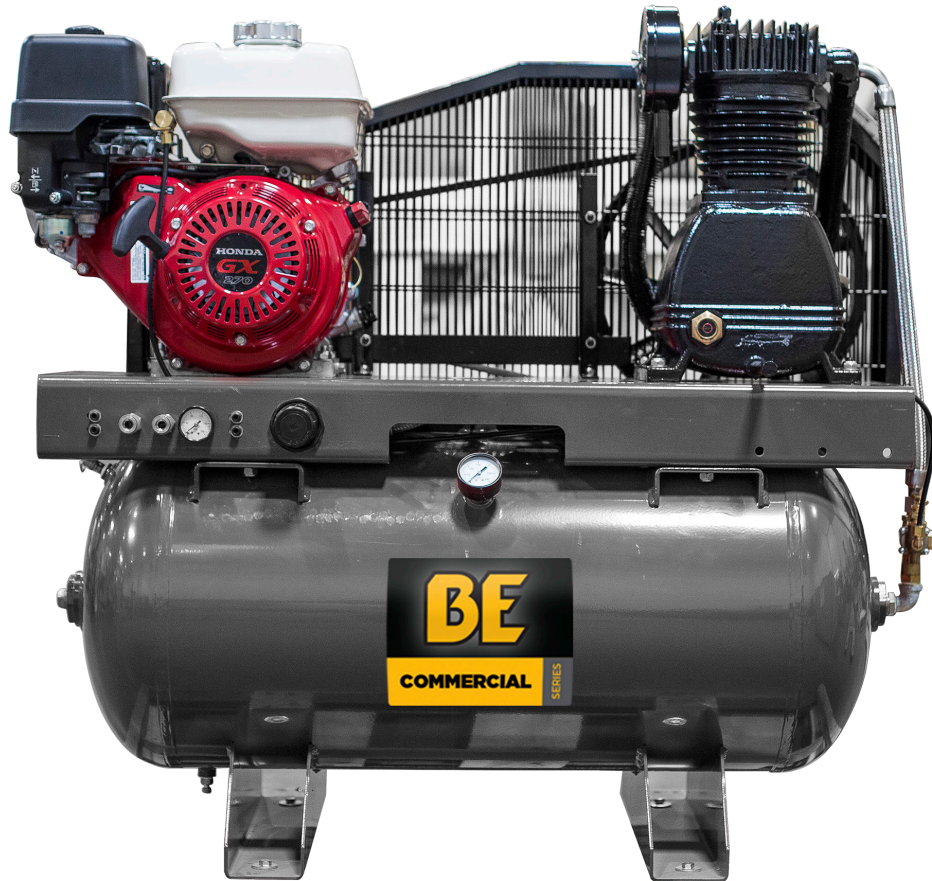




PARTS BREAKDOWN

AIR COMPRESSOR

MODEL:AC930HB



BEPOWEREQUIPMENT

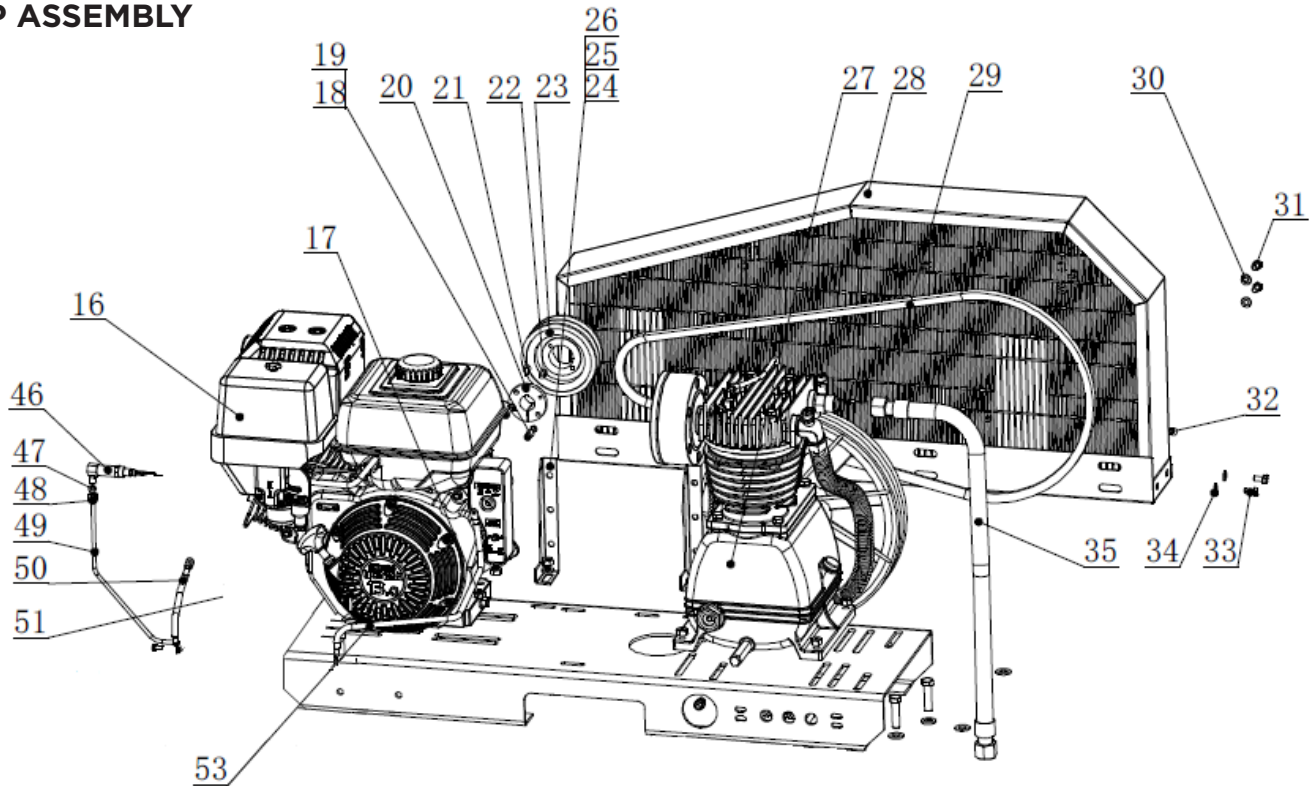
.COM



PARTS BREAKDOWN AIR COMPRESSOR

MODEL:AC930HB

TOP ASSEMBLY



REF #	DESCRIPTION	QTY	BE PART #
16	*HONDA GX270 ENGINE	1	CHECK WITH HONDA
18	HEX SOCKET HEAD CAP SCREW	4	42.005.133
20	PULLEY BUSHING	1	
21	SOCKET HEAD CAP SCREW	1	
22	PLAIN KEY	2	
23	PULLEY	1	
28	BELT GUARD	1	42.005.079
27	PUMP ASSEMBLY	1	SEE PAGE 5
29	V BELT	1	A77
35	FLEX LINE	1	42.005.085
46	BULLWHIP THROTTLE CONTROL	1	42.010.027

*CHECK WITH HONDA FOR ENGINE BREAKDOWN AND PARTS

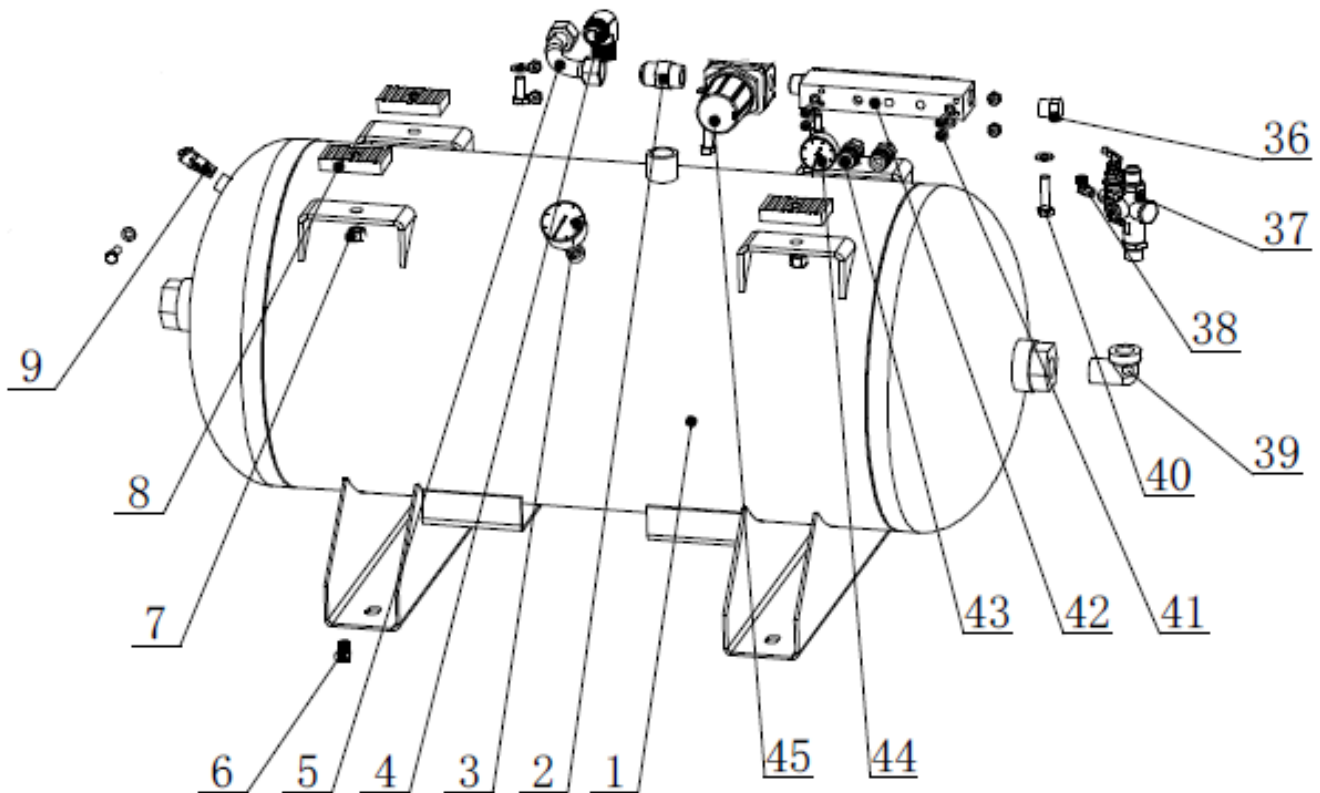
**BELTS NOT SOLD THROUGH BE. CHECK WITH LOCAL SUPPLIER



PARTS BREAKDOWN AIR COMPRESSOR

MODEL:AC930HB

TANK ASSEMBLY



REF #	DESCRIPTION	QTY	BE PART #
3	TANK PRESSURE GAUGE	1	42.004.031
5	FLEX LINE	1	42.005.081
6	TANK DRAIN VALVE	1	42.006.041
9	SAFETY RELIEF VALVE	1	42.010.028
37	PILOT UNLOADER VALVE	1	42.010.025
42	MANIFOLD	1	42.005.090
44	BRASS COUPLER	2	42.000.046
45	PRESSURE REGULATING VALVE	1	42.005.080



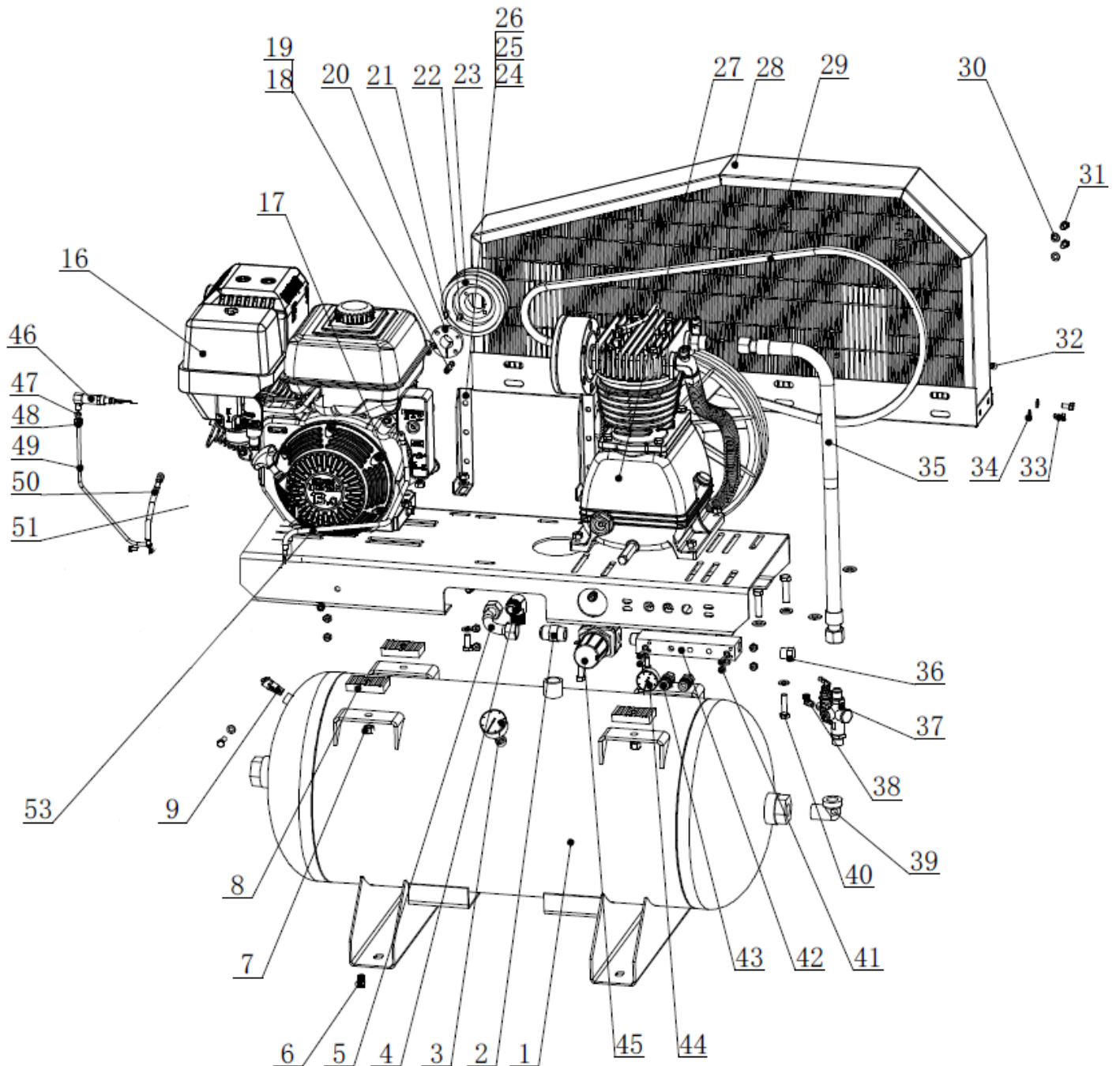
PARTS BREAKDOWN AIR COMPRESSOR

MODEL:AC930HB

COMPLETE PUMP TANK ASSEMBLY

42.005.060

(DOES NOT INCLUDE ENGINE)





PARTS BREAKDOWN AIR COMPRESSOR

MODEL:AC930HB

LH4T PUMP

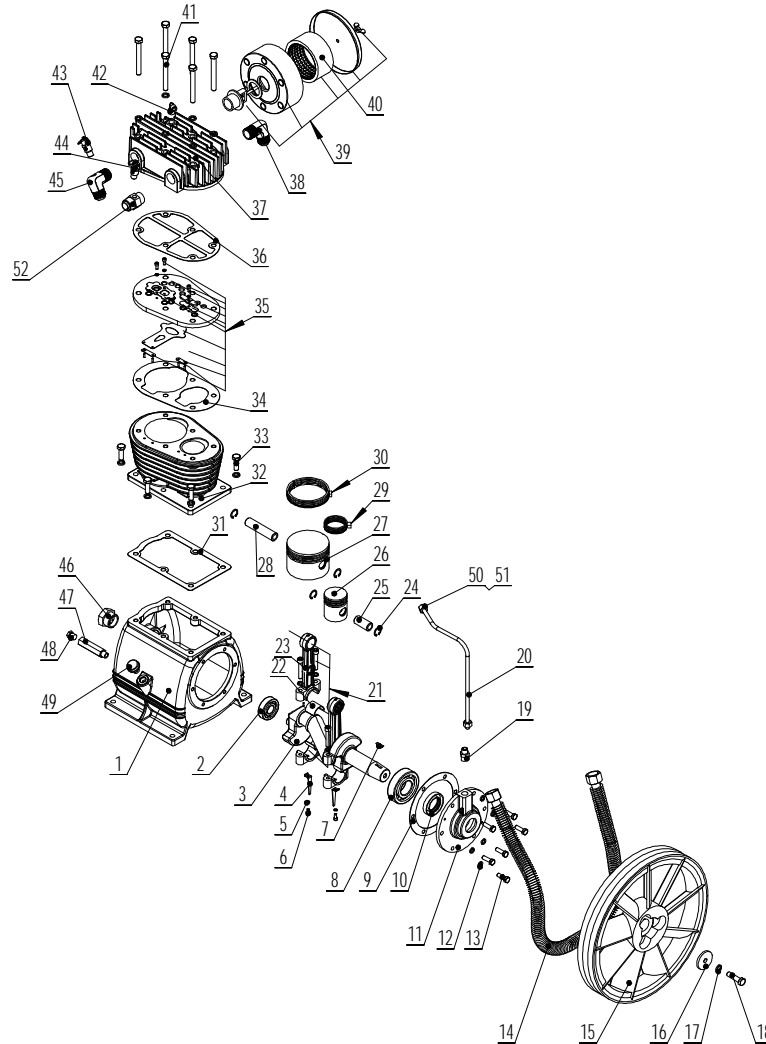
*CURRENT STYLE:

42.005.139

(SINGLE BELT PULLEY)

**OLD STYLE: 42.005.113

(TWIN BELT PULLEY)



REF #	DESCRIPTION	QTY	BE PART #
9,10,31,34,35,37	GASKET ASSEMBLY	1	42.005.115
14	INTERCOOLER TUBE	1	42.005.140
*15-18	FLYWHEEL ASSEMBLY (CURRENT STYLE)	1	42.005.138
**15-18	FLYWHEEL ASSEMBLY (OLD STYLE)	1	42.005.114
20	BREATHER TUBE, INCLUDES NUT AND FERRULE	1	42.005.118
29,30	PISTON RING ASSEMBLY	1	42.005.117
36	VALVE ASSEMBLY SET	1	42.005.116
39	AIR FILTER ASSEMBLY	1	42.005.052
40	AIR FILTER ELEMENT	1	42.005.028
46	SIGHT GLASS	1	42.005.109
47,48	OIL DRAIN WITH PLUG	1	42.005.120
49	OIL CAP	1	42.005.110

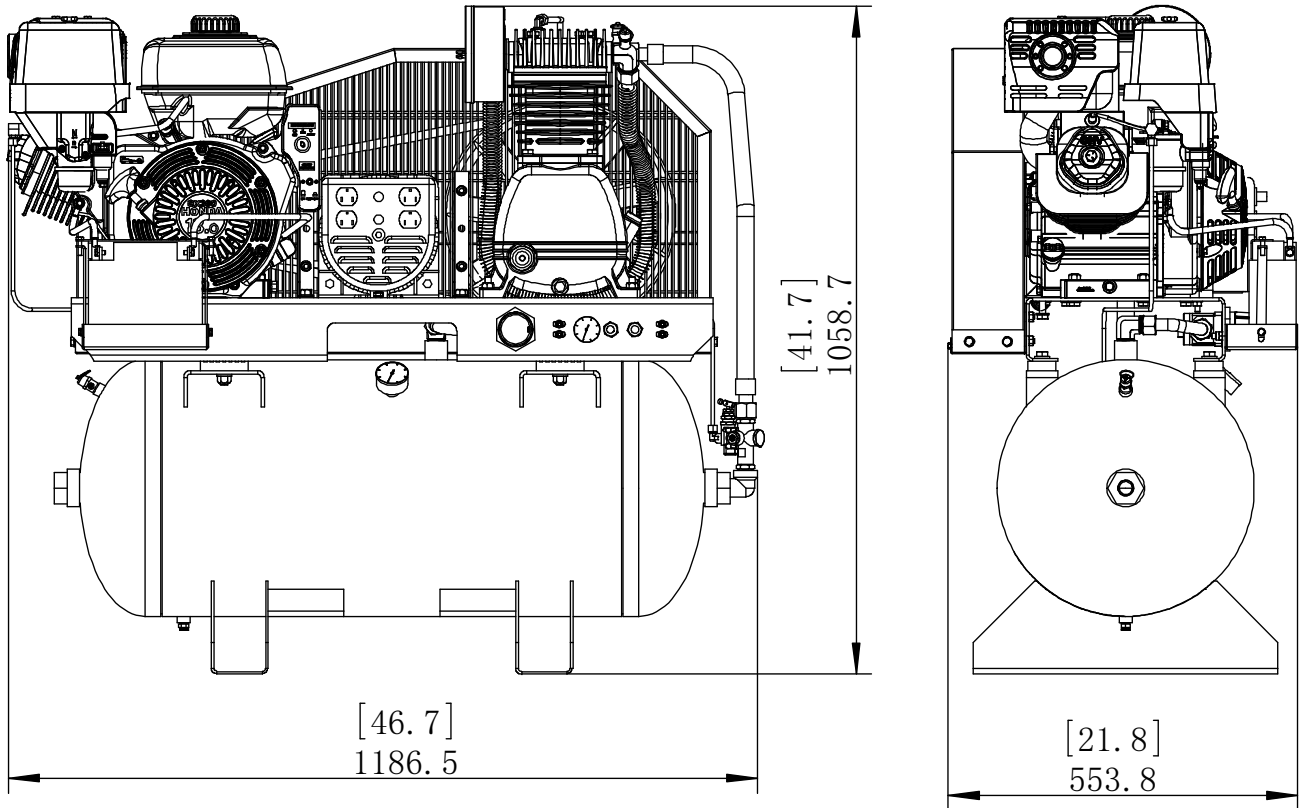


PARTS BREAKDOWN

AIR COMPRESSOR

MODEL:AC930HB

DIMENSIONS



DIMENSION	MEASUREMENT	QTY
LENGTH	INCHES	46.7
	MILLIMETERS	1186.5
WIDTH	INCHES	21.8
	MILLIMETERS	553.8
HEIGHT	INCHES	41.7
	MILLIMETERS	1058.7

*SHOWN WITH OPTIONAL BATTERY KIT INSTALLED

DESCRIPTION	QTY	BE PART #
LITHIUM-ION BATTERY	1	85.573.108
BATTERY BOX AND BRACKET	1	85.603.005
BATTERY CABLE, 10 GAUGE, RED	1	85.603.009
BATTERY CABLE, 10 GAUGE, BLACK	1	85.603.010
BATTERY TERMINAL RING, 1/4"	4	85.504.006
BATTERY TERMINAL COVER, RED	1	85.504.029
BATTERY TERMINAL COVER, BLACK	1	85.504.030

BE

POWER EQUIPMENT

If you need technical assistance call:

1-866-850-6662

(8:00am - 4:30pm PST, Mon - Fri)