

BE

POWEREASE GASOLINE ENGINE



85.570.070

85.570.150

USER MANUAL

BEPOWEREQUIPMENT

.COM



Introduction

4 Using the Operators Manual

Product Identification

5 Record Product Identification Numbers

Safety

6 Safety Rules

6 Hazard Symbols and Meanings

Engine Components

8 Front Diagram

8 Rear Diagram

Battery Connection

10 Battery Connection

Pre-Operation

12 Engine Oil

12 Oil Level Check

13 Air Cleaner

13 Fuel Recommendation

Starting the Engine

15 Starting the Engine

16 Recoil Starter

Running the Engine

17 Running the Engine

17 Engine Oil Alarm

High Altitude Operation

18 High Altitude Operation

Stopping the Engine

19 Stopping the Engine



Exhaust Control System

20 Exhaust Control System

20 Maintenance

20 Problems affecting exhaust emissions

Maintenance

21 Maintenance Schedule

22 Replacement of Engine Oil

22 Maintenance of Air Cleaner

23 Spark Plug

Transport and Storage

24 Transport and Storage

Troubleshooting

26 Engine Starting (by recoil starter)

27 Engine Starting (by starter motor)

28 Gasoline Engine Power Output Insufficiency

29 Gasoline Engine Running Poorly

29 Suddenly Stops When Running

30 Engine is Overheating

30 Abnormal Noise When Engine is Running

Specifications

31 Specifications



Attention: Read through the complete manual prior to the initial use of your engine.

Using the Operator's manual

Thank you for choosing our general-purpose gasoline engine. The manual gives information with respect to operation and maintenance of the engine. Be sure to read it carefully before operation.

Following the manual can ensure the user's safety and allow the best results from the engine. All information and diagrams in this manual are in accordance with the newest products at the time of publishing. We strive for accuracy and this manual is accurate for the models described at the time of printing. We reserve the right to make improvements or changes at any time without notice or obligation.

Please keep this manual with the engine permanently, even if ownership of the engine is transferred.

Record Identification Numbers

ENGINE

If you need to contact an authorized dealer or customer service line (1-866-850-6662) for information on servicing, always provide the product model and identification numbers.

You will need to locate the model and serial number for the machine and record the information in the places provided below.

Date of Purchase:
Dealer Name:
Dealer Phone:

Product Identification Numbers
Model Number:
Serial Number:



WARNING

This product can expose you to chemicals including lead, which is known to the State of California to cause cancer and birth defects or other reproductive harm. For more information, go to www.P65Warnings.ca.gov. Wash hands after handling.

Save these Instructions

SAFETY RULES















This is the safety alert symbol. It is used to alert you to potential personal injury hazards. Obey all safety messages that follow this symbol to avoid possible injury, equipment damage, or death.

The safety alert symbol (▲) is used with a signal word (DANGER, CAUTION, WARNING), a pictorial and/or a safety message to alert you to hazards.

DANGER indicates a hazard which, if not avoided, will result in death or serious injury.
WARNING indicates a hazard which, if not avoided, could result in death or serious injury.
CAUTION indicates a hazard which, if not avoided, might result in minor or moderate injury.
NOTICE indicates a situation that could result in equipment damage. Follow safety messages to avoid or reduce the risk of injury or death.

HAZARD SYMBOLS AND MEANINGS

			
EXPLOSION	FIRE	ELECTRIC SHOCK	TOXIC FUMES
			
POISON	HOT SURFACE	WEAR EYE PROTECTION	SLIPPERY
			
FALL	FLUID INJECTION	MOVING PARTS	READ MANUAL

▲ WARNING

Indicates a possibility of invalid warranty and personal or equipment damage if instructions are not followed.

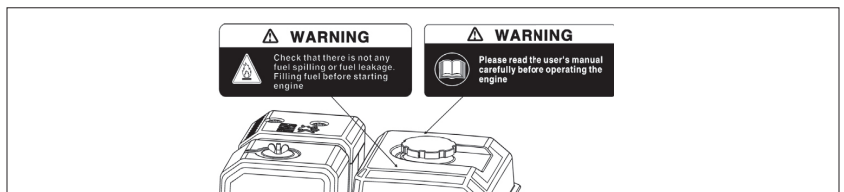
Please pay special attention to the following:

- Do not overload, overrun the engine, or run it with low load and at low speed for a long time.
- Use unleaded, regular gasoline. Ensure that it is clean and fresh.
- Keep the fuel filter clean.
- Change the oil periodically. Check the condition of the oil often.
- Periodically check the installation, connection, and the degree of tightness of the drive shaft. Tighten if necessary.
- Periodically clean the element of the air filter and change it when necessary. A clogged air filter can permanently damage the engine.
- This gasoline engine is air-cooled. If necessary, clean the radiator, fan and/or fan cover to allow for normal operation of the engine.
- The operator should be familiar with the working principles and structure of the gasoline engine, including knowing how to make an emergency stop and the basic operation of all controlling parts.

Anyone without training should not operate the engine.

- Run the engine in a well-ventilated location. Do not run indoors or near any flammable substances. Open windows or doors do not supply sufficient ventilation. Use only in an outdoor setting.
- Refuel in a well-ventilated area with the engine stopped. Do not smoke and do not allow flames or sparks in the refueling area.
- Do not overfill the fuel tank. Always leave room for fuel expansion. Take care not to spill fuel. If there is spilled fuel around, be sure to clean it up thoroughly before starting the engine.
- Do not run the engine inside buildings or enclosed areas.
- The exhaust muffler is very hot during engine operation even after the engine stops. Never touch it, or you may be burned. Transport or store the engine only after it has cooled down entirely.
- Safety warning label:

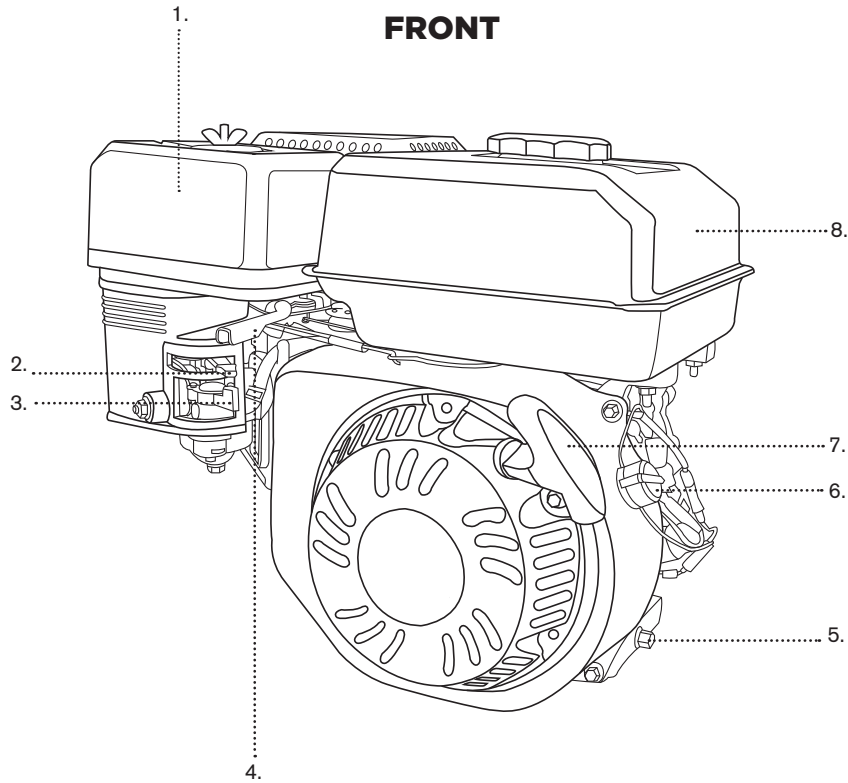
Please carefully read warning labels before operating. We will not accept any responsibility for personal injury or equipment damage caused by disregarding these labels.





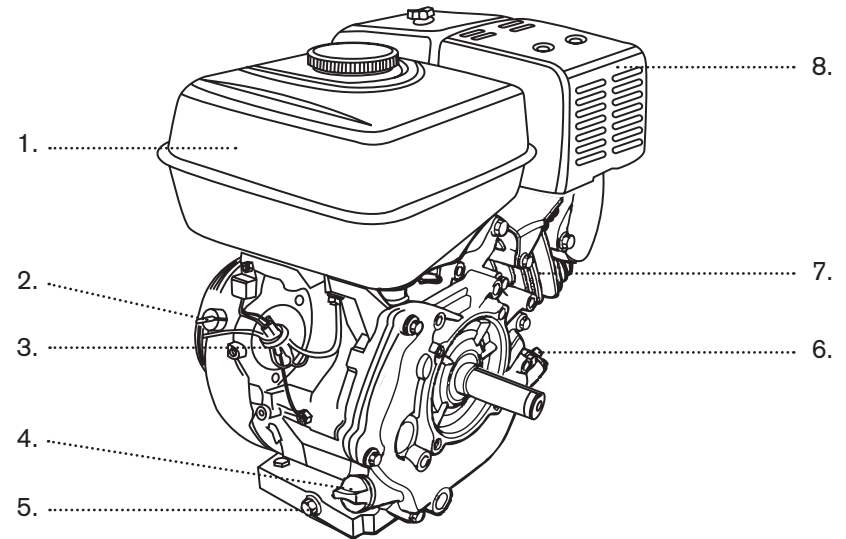
Read this operator's manual and safety rules before operating your engine.

FRONT



- 1. Air Filter
- 2. Choke Lever
- 3. Fuel Valve Lever
- 4. Throttle Lever
- 5. Oil Drain Plug
- 6. ON/OFF Switch
- 7. Recoil Starter
- 8. Fuel Tank

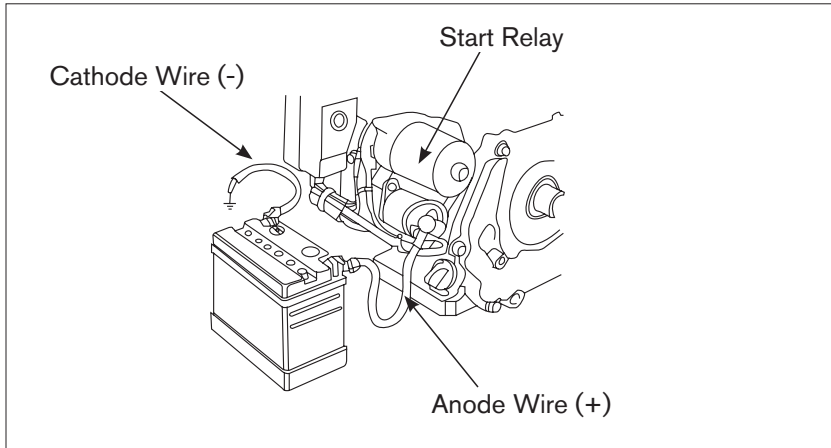
BACK



- 1. Gas Tank
- 2. Engine Switch
- 3. Battery Wiring
- 4. Oil Dipstick
- 5. Oil Drain Plug
- 6. Oil Plug
- 7. Spark Plug
- 8. Exhaust/Muffler

Battery Connection (If Applicable)

Use a 12V and more than 18AH battery. Connect its positive lead to the start relay terminal while connecting the negative lead to the engine mounting screw, base screw, or other grounding point with the engine (See the following picture). Check the battery's connecting point; make sure that it is tight and not rusted. If rusted, clean and connect.



⚠ WARNING



The battery may give off explosive gas. Keep sparks, flames and cigarettes away.

⚠ WARNING



The battery contains sulfuric acid (electrolyte). Contact with skin or eyes may cause severe burns. If electrolyte gets in your skin, flush with water; if it gets in your eyes, flush with water for at least 15 minutes and call a physician immediately.

⚠ WARNING



Electrolyte is poisonous. If swallowed, drink large quantities of water or milk followed by milk of magnesia or vegetable oil and call a physician.

⚠ WARNING

Keep out of reach of children.

NOTICE

- Do not add tap water to the battery. Fill with distilled water, otherwise the battery service life will be shortened.
- Do not add distilled water over the electrolyte upper level mark. If you do, electrolyte will spill out and damage engine parts. If spillage occurs, it must be cleaned up immediately. Do not delay.
- Make sure not to connect the battery leads in reverse order. Otherwise, a short-circuit may occur as a result.

Pre-Operation Inspection

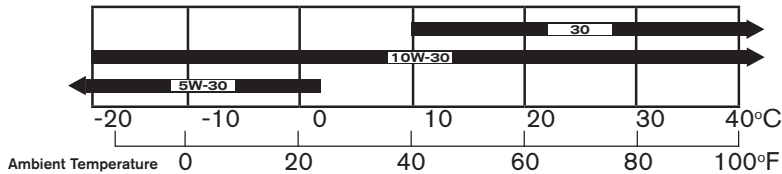
ENGINE OIL

⚠ CAUTION

Use 4-stroke engine oil, API service classification SE class or equivalent. Check the API service label on the oil container to be sure it includes the letters SE class or equivalent.

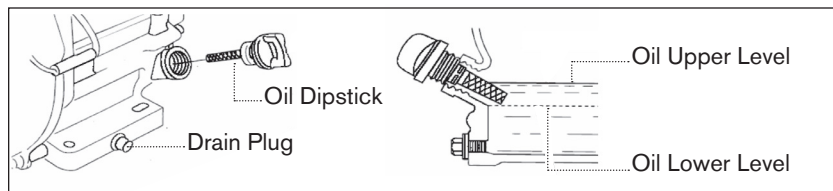
SAE 10W-30 is recommended for general use. Other viscosities shown in the chart may be used when the average temperature in your area is within the indicated range.

SAE VISCOSITY GRADES



CHECKING THE OIL LEVEL

1. Remove the dipstick and clean it.
2. Reinsert the dipstick into the oil filling hole without screwing it in, remove it. The oil level can be determined by seeing how much of the dipstick is covered in oil.
3. If the oil level is too low, add the recommended engine oil up to the appropriate level. Do not add oil if the oil within the engine is old or in poor condition. Drain and change the oil instead.
4. Reinstall the dipstick once you are done checking the level.



NOTICE

Running with insufficient engine oil may damage the gasoline engine. This is not covered by warranty.

AIR CLEANER

Dismantle the air cleaner cover and check its element to ensure it is clean and in good condition. Clean or replace it as necessary.

NOTICE

Never run the engine without an air filter. Severe wear and tear may occur as a result. This damage is not covered by warranty.

FUEL RECOMMENDATION

1. Remove the fuel tank cap and check fuel level.
2. If the level is too low, refuel the tank. Remember to add fuel below the fuel shoulder.

⚠ WARNING



Gasoline is extremely flammable and is explosive under certain conditions.



Refueling in a well-ventilated area with the engine stopped. Do not smoke and do not allow flames or sparks in the area where gasoline is stored or where the fuel tank is refueled.

Be careful not to spill fuel when refueling. Spilled fuel or fuel vapor may ignite. If any fuel is spilled, make sure the area is dry before starting the engine.

⚠ WARNING

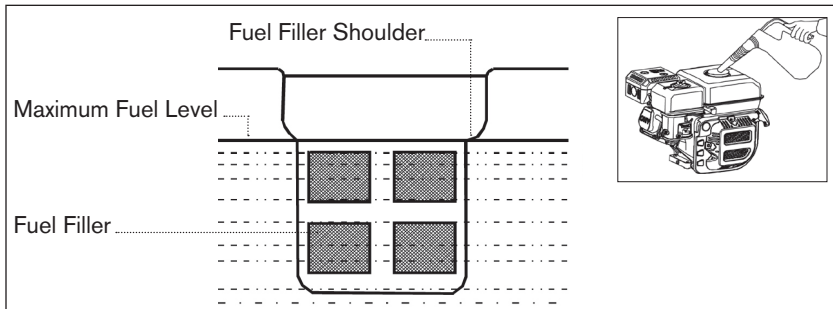


Avoid repeated or prolonged contact with skin or breathing of fuel vapor. Keep out of reach of children.

Keep out of reach of children.

⚠ WARNING

Do not overfill the fuel tank (there should be no fuel in the filling neck). After refueling, make sure the fuel tank cap is replaced securely.



NOTICE

Fuel may damage the exterior of the engine. Be careful not to spill fuel when refueling. Any damage due to spillage of any kind is not covered by warranty.

A “light knocking” or “spark exploding” sound may be heard during engine **overloading** - this is normal.

If “knocking” or “spark exploding” sound occurs at a steady speed under **normal** load, change brand of gasoline. If this issue persists, contact your local service center or repair depot.

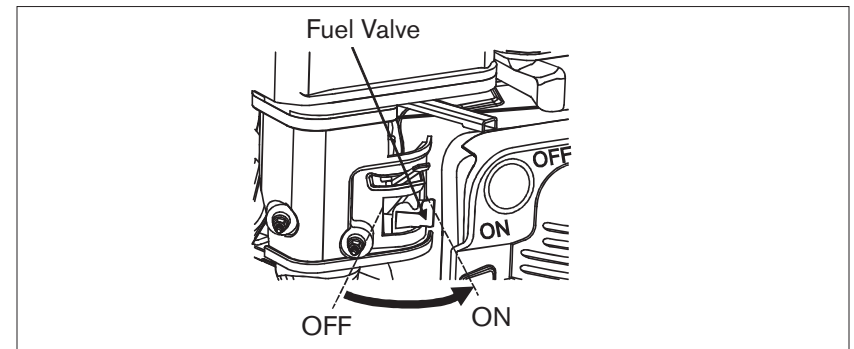
NOTICE

When the engine is running, continuously “Knocking” or “spark exploding” sound will damage engine.

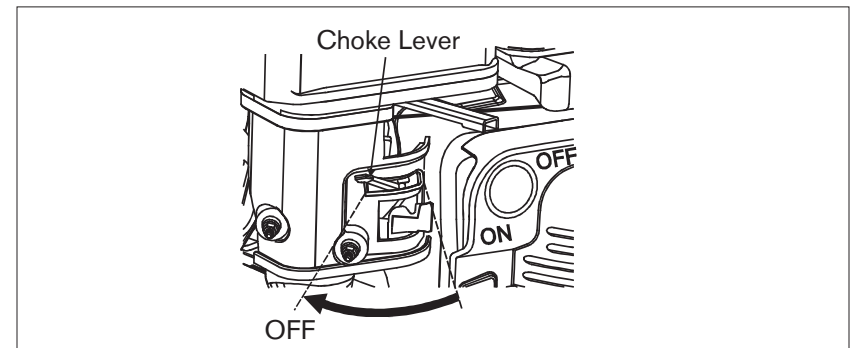
“Knocking” or “spark exploding” sound from misusing will not be covered under warranty.

Starting the Engine

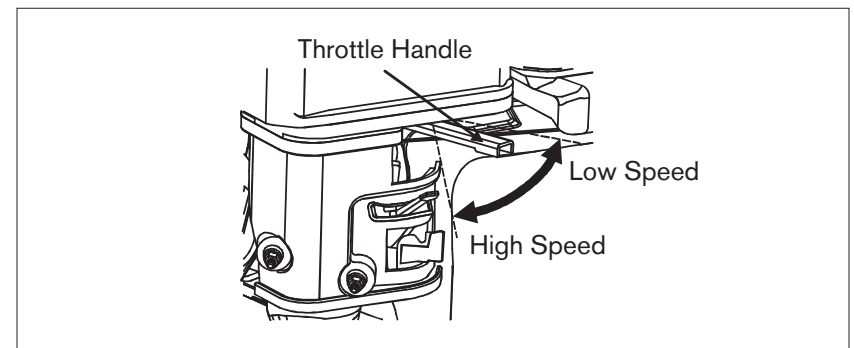
1. Turn the fuel valve to the “ON” (OPEN) position.



2. If cold-starting the engine, turn the choke lever to the “CLOSE” (OFF) position. If the gasoline engine is hot, don't close the choke.

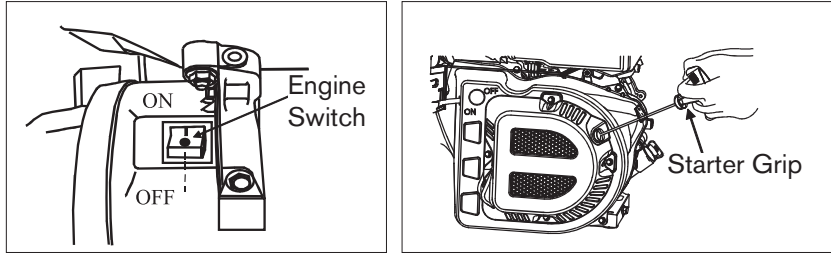


3. Move throttle handle to the the left in small increments.



4. Start the Engine

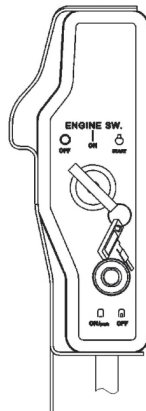
Recoil Starter: Turn the engine switch to the “ON” (OPEN) position. Pull the starter grip lightly until resistance is felt, then pull briskly.



NOTICE

Don't allow the starter grip to snap back against the engine. Return it gently to prevent damage to the starter.

Electric Starter (if applicable): Turn the engine switch to the “START” position, and hold it there until the gasoline engine starts. When the engine starts, allow the engine switch to return to the “ON” position.



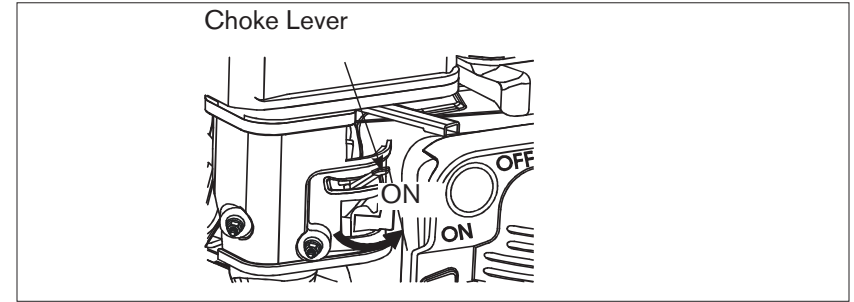
Engine Switch

NOTICE

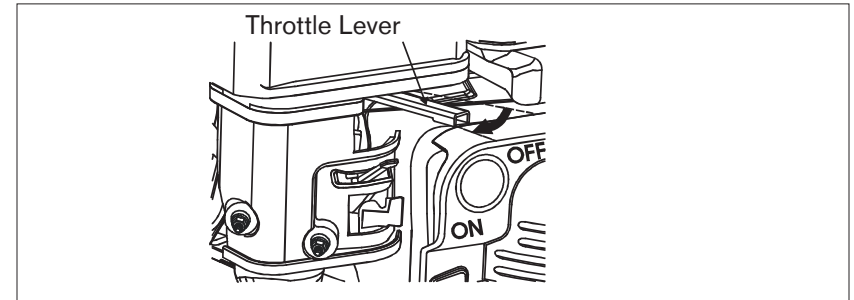
Do not use the starter for more than 5 seconds or starter motor damage may occur. If the engine fails to start, release the switch and wait 10 seconds before operating the starter again.

Running the Engine

1. Once the engine is warm (after about 10-15 seconds of running), move the choke back to the OPEN position.



2. Move the throttle lever to proper position to make the gasoline engine run at required velocity. Our engines are factory-tested at full throttle, so they can be consistently used at that level.



ENGINE OIL ALARM

The engine oil alarm is designed to function when the engine oil in the crankcase is insufficient. Lack of engine oil may damage the engine. Once oil level in the crankcase is too low, the engine oil alarm will stall the engine automatically to reduce damage while the engine switch is still at “ON”.

NOTICE

If you cannot restart the engine, check the engine oil level first

High Altitude Operation

At high altitude, the standard air-fuel mixture will be too rich. Performance will decrease and fuel consumption will increase. A very rich mixture will also foul the spark plug and cause hard starting. High altitude performance can be improved by specific modifications to the carburetor. If you always operate your engine at altitudes above 1000 meters, have your servicing dealer perform the necessary modifications (not covered under warranty).

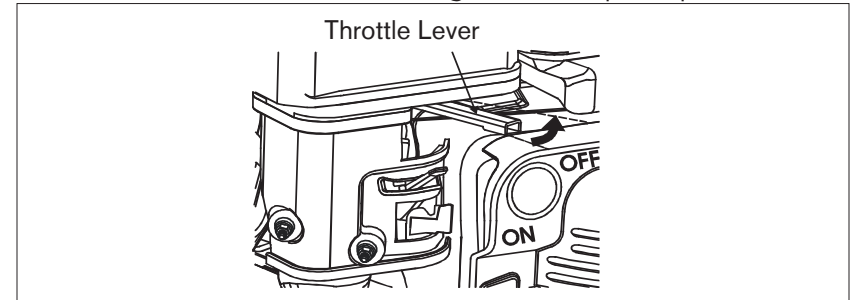
NOTICE

Modified engines applicable to altitude may be seriously damaged in areas below an altitude of 1000 meters due to overheating. This is because the mixture ratio is too lean for operation in a low altitude area. Operation at altitudes below 1000 meters with a modified carburetor may cause the engine to overheat and result in serious engine damage. This damage is not covered under warranty.

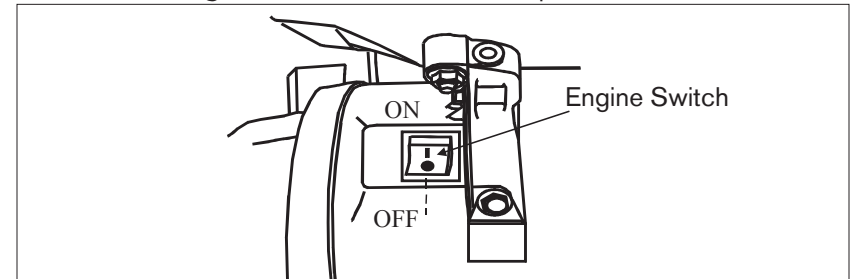
Stopping the Engine

In emergency, push the engine switch to the OFF" position. In normal operation:

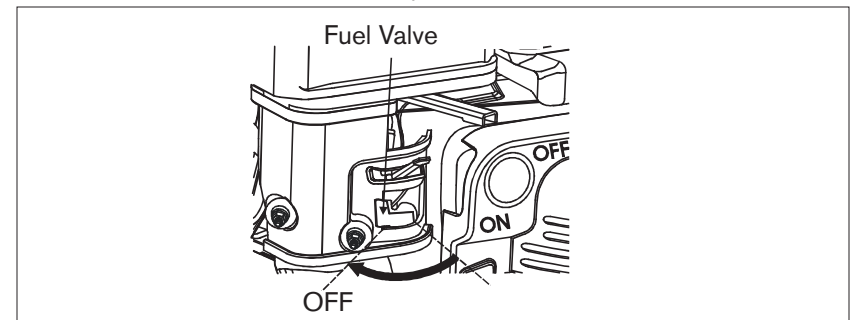
1. Push the throttle lever to the right to low speed position.



2. Push the engine switch to the "OFF" position.



3. Set the fuel valve to "OFF" position.

**NOTICE**

Sudden stopping at high speed under heavy load will result in damage to the engine.

Exhaust Control System

With the engine running, carbon monoxide, oxide of nitrogen and hydrocarbon will be produced. In certain conditions, oxide of nitrogen and hydrocarbon will chemically react to each other to produce carbon monoxide, an odorless toxic gas. As a result, exhaust control is very important.

To keep the exhaust of your engine in line with emission standards, ensure that you perform regular maintenance.

1. MAINTENANCE

Maintain the engine periodically in accordance with the maintenance schedule listed on the following page. The maintenance schedule is designed for normal use in normal conditions. If used under heavy load, dusty/wet conditions, or in high temperature, the engine should be serviced more frequently.

2. PROBLEMS AFFECTING EXHAUST EMISSIONS

- Difficult starting or stopping.
- Unstable idle speed.
- Black exhaust or high fuel consumption.
- Poor ignition sparks or backfire.
- Advanced ignition.

If you find or experience any of the problems listed above, contact your local service center for assistance.

Maintenance Schedule

In order to keep the gasoline engine operating properly, periodic service and engine adjustment must be performed. Follow the maintenance schedule below:

		MAINTENANCE SCHEDULE				
		Each Use	First Month or 20hrs	Each Season or 50hrs	Every 6 Months or 100hrs	Every Year or 300hrs
Engine Oil	Oil Level Check	█				
	Replace		█		█	
Reduction Gear Oil	Oil Level Check	█				
	Replace		█		█	
Air Cleaner	Check	█				
	Clean			█	█	
	Replace					█
Deposit Cup	Clean				█	
Spark Plug	Clean/Adjust				█	
	Replace					█
Spark Arrester	Clean				█	
Idling	Check/Adjust					█*
Valve Clearance	Check/Adjust					█*
Fuel Tank & Filter	Clean					█
Fuel Supply Line	Check	Every Two Years (Replace if necessary)				
Cylinder Head & Piston Head	Clean Carbon	Every 125 hours*				

* These items should be serviced by an authorized servicing dealer, unless you have the proper tools and are mechanically proficient.

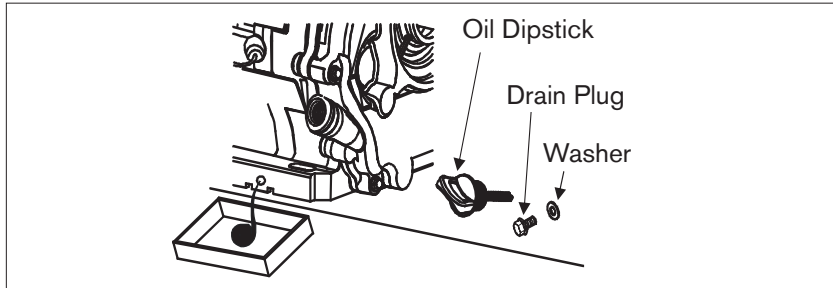
WARNING	
	The exhaust emissions from the engine contain toxic carbon monoxide. Breathing it in may result in injury and even death.
Stop the engine before servicing. If service is required with the engine running, be sure to keep proper ventilation in the area. An open door or window does not supply sufficient ventilation. Ensure that you are using the engine in an outdoor setting only.	

REPLACING ENGINE OIL

1. Drain the engine oil rapidly and completely when the engine is hot. Remember that hot surfaces can cause burns.
2. Unscrew the oil cap and drain plug to drain engine oil thoroughly. Reinstall the drain plug and screw in securely.
3. Fill the engine with SAE 10W30 oil up to the upper level mark.
4. Reinstall the oil filler cap.

NOTICE

Do not dump oil containers or discarded engine oil into garbage boxes or onto the ground. For environmental protection, we suggest you take discarded engine oil in a closed container to a local recycling station.



AIR FILTER MAINTENANCE

A dirty air filter can restrict air flowing into the carburetor. To keep the carburetor in good working condition, ensure that you service the air filter at regular intervals. If operating the engine in an extremely dusty area, maintenance must be performed more frequently.

WARNING



Never clean the air cleaner element with gasoline or low flash-point detergents, or explosion may occur.

NOTICE

Never run the engine without an air filter. Dirt and dust entering the engine can cause premature wear and tear.

1. Remove the air filter cover and take the element out.
2. Paper element: Wash the element with home detergents and warm water (or non-flammable or high flash-point cleansing solvents) and dry. Foam element: Soak in clean engine oil until saturated. Squeeze out excess oil. Otherwise, the engine will smoke in starting stage.
3. Clean the air cleaner cover and inner surface with a wet cloth. Be careful not to allow dust to enter the carburetor.
4. Reinstall the element and put the air cleaner cover on.

SPARK PLUG

Spark plug type: BPR6ES (NGK) or NHSP LD F7RTC

In order to ensure normal running, the gap of the spark plug must be correct and there should be no deposits around the spark plug.

1. Remove the spark plug cap.
2. Clear away dirt around the spark plug base.
3. Dismantle the spark plug with a spark plug wrench.
4. Visually check the spark plug. Clean with a steel brush. If the insulator is damaged, replace the spark plug.
5. Measure the spark plug clearance with a feeler. The clearance should be 0.7-0.8mm. If adjustment is necessary, bend the electrode carefully. This may need to be done by a service technician.
6. Check if the spark plug gasket is in good condition. In order to avoid cross threading, screw in by hand.
7. Screw in the spark plug to the bottom first by hand and then screw in by a spark plug wrench and compress the gasket.
 - If a new spark plug is used, twist 1/2 turns after compressing the gasket.
 - If reinstalling the used spark plug, twist 1/8-1/4 turns.

WARNING



To avoid burns, do not touch the muffler.

NOTICE

The spark plug must be tightened securely, or it may become very hot and cause damage to the engine.

Transport and Storage

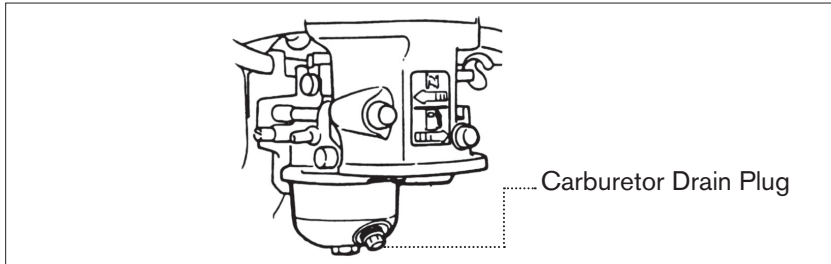
Transport with the fuel valve turned to the “OFF” position. Transport or store the engine when it is cool to avoid burns or fire.

NOTICE

To avoid spills, do not place the engine on an incline. Spilled fuel or fuel vapors may ignite and cause a fire.

If the engine is not kept in use for a long time, be sure to store it properly.

1. Make sure the storage area is dry and free of dust.
2. Turn the fuel valve to the “OFF” position and place a fuel container under the carburetor (as shown below).
3. Open the fuel valve to completely drain gasoline out of the fuel tank.
4. Reinstall the drain plug back and tighten it.



⚠ WARNING



Fuel is extremely flammable and explosive under certain conditions.

Keep smoke, fire and sparks away from operating site.

5. Drain the oil out of the engine. Refer to maintenance section for instructions on how to do so.
6. Remove the spark plug. Add approximately 1 tablespoon of fresh engine oil onto the cylinder. Crank the engine to distribute engine oil evenly. Reinstall the spark plug.
7. Electric starter: Remove the battery and store in dry and cool area. Charge once every month.
8. Cover the engine to prevent dust from entering.

Please maintain according to following table after storing.

Storing Time	Recommended Storage Procedure
1 Month	Not Necessary
1-2 Months	Drain the used gasoline and add fresh gasoline
2 Months - 1 Year	Drain the used gasoline and add fresh gasoline Drain the gasoline (1) out of the carburetor cup. Drain the gasoline (2) out of the sediment bowl.
Over 1 Year	Drain the used gasoline and add fresh gasoline Drain the gasoline (1) out of the carburetor cup. Drain the gasoline (2) out of the sediment bowl. After removing from storage, first, drain the used gasoline to proper container, and add fresh gasoline before starting. We recommend adding fuel stabilizer if storing for this amount of time.
Loosen the drain bolt and completely drain the gasoline out of the carburetor to proper container and screw the drain back tightly. Remove the sediment bowl after closing fuel valve, and completely pour the gasoline out the sediment bowl. Finally, reinstall the sediment bowl back and screw it down.	

Troubleshooting

ENGINE STARTING (BY USING RECOIL STARTER)


Trouble		Cause	Remedy		
Normal cylinder compression.	Normal spark plug spark.	Fuel supply is not smooth or no fuel supply.	There is not enough fuel in fuel tank and fuel valve is closed. Air vent in the fuel filler cap is clogged. Fuel valve is clogged. Improper or clogged main oil flow hole. Needle valve is not closed properly or start hole is clogged. Float is damaged or sticking.	Fill fuel, open fuel valve. Clean Air Vent. Clean. Adjust or clean, blow to get open. Dismantle needle valve and repair, clean, blow to open. Repair float.	
		Something wrong with the fuel system.	Fuel is stale or dirty.	Replace.	
			There is water in fuel.	Replace.	
			Too much fuel in engine.	Drain extra fuel, dry spark plug electrodes.	
		Normal fuel supply system.	Normal high-tension line spark.	Wrong fuel type.	Drain. Select proper fuel.
				Too much carbon deposit and dirt around electrodes.	Clean.
			Normal high-tension line spark.	Electrodes or insulators damaged.	Replace spark plug.
				Improper electrodes gap.	Adjust.
			High-tension line no spark.	Normal spark plug.	High-tension line is damaged.
	Ignition coil is damaged.				Replace.
			Magnet has lost magnetism.	Replace.	
			Abnormal gap between ignition coil and flywheel.	Adjust gap.	

Troubleshooting

ENGINE STARTING (BY USING RECOIL STARTER)

Trouble		Cause	Remedy	
Abnormal cylinder compression.	Normal fuel supply system.	Piston ring is worn.	Replace.	
		Piston ring is broken.	Replace.	
		Piston ring is sticking.	Clear up carbon fouling.	
	Normal spark plug.	Spark plug is not installed tightly or without a gasket.	Air leakage between cylinder block and cylinder head.	Tighten with gasket installed. Check cylinder gasket, and the flatness of the surface between cylinder block and cylinder head. Tighten cylinder head bolts to correct torque.
			Air leakage in the valves.	Check valve clearance and tighten or repair as necessary.

⚠ WARNING



- When testing the spark plug, never hold the high-voltage wire of the spark plug with wet hands.
- Make sure there is no spilled fuel outside the engine and that the spark plug isn't coated with fuel.
- To prevent fire, keep sparks far away from the spark plug mounting hole.

Engine Starting (by using starter motor)

Item	Cause	Remedy
Check battery connection.	Incorrect connection.	Correct the connection.
Check battery.	No charge or under charge, corrosion.	Charge the battery or replace it.

Troubleshooting

GASOLINE ENGINE POWER OUTPUT INSUFFICIENCY

Trouble	Cause	Remedy	
When increasing throttle, speed increases slowly or even decreases and stops running.	Fuel supply system.	Air in fuel line or fuel line clogged.	Exhaust air or fuel line.
		Main flow hole is not adjusted properly.	Readjust.
		In carburetor, needle valve hole and main flow hole clogged	Clean by blowing carefully.
		Fuel valve is clogged up.	Clean, replace damaged part.
		Too much carbon deposit in combusting chamber.	Clear away.
		Too much carbon fouling in muffler and exhaust pipe.	Clear away.
		Air cleaner is clogged up.	Clean air cleaner filter element.
		Intake pipe is leaking.	Repair or replace.
	Poor compression.	Piston or cylinder or piston ring is worn.	Replace.
		Air leakage between the cylinder block and cylinder head.	Replace cylinder gasket
		Too large or too small valve clearance.	Readjust.
		Valve tightness.	Repair.

Troubleshooting

GASOLINE ENGINE RUNNING POORLY

Trouble	Cause	Remedy
Knocking sound	Piston, cylinder or piston ring is worn excessively.	Replace.
	Piston pin and piston pin hole are worn excessively.	Replace piston or piston pin.
	Tie rod small head is worn excessively.	Replace tie rod.
	Roller bearing for crankshaft main shaft is worn.	Replace roller bearing.
Abnormal combustion	Engine is too hot.	Check operating environment. If problem persists, see technician.
	Too much carbon deposit in combustion chamber.	Clear away.
	Improper gasoline or low gasoline quality.	Replace with correct gasoline.
Lacking Spark	There is water in float chamber.	Clean.
	Improper spark plug electrodes clearance.	Adjust.
	Ignition coil.	Check and replace damaged parts.

SUDDENLY STOPS WHEN RUNNING

Stop suddenly when running.	Fuel supply system.	Cause	Remedy
		Fuel is empty.	Refill fuel.
		Carburetor is clogged.	Check fuel line and clean.
	Ignition system.	Float is leaking.	Repair.
		Needle valve is sticking.	Dismantle float chamber and clean.
		Spark plug is damaged, or short-circuited by carbon deposit.	Replace spark plug.
		Electrode of spark plug is damaged.	Replace spark plug.
		High-tension wire is damaged.	Replace spark plug.
		Ignition coil is punctured or short-circuited.	Replace ignition coil.
		Grounding wire is located on engine body.	Relocate ground wire.
	Other	Cylinder is scored and/or dropped valve.	Repair or replace damaged parts.

Troubleshooting

ENGINE IS OVERHEATING

TROUBLE	CAUSE	REMEDY
GASOLINE ENGINE IS OVERHEATING.	Insufficient oil volume.	Refill engine oil to correct level.
	Exhaust pipe blocked.	Clean exhaust pipe.
	Shroud leaking.	Repair damaged part.
	Cooling fins blocked by foreign matter.	Clear cooling fins.
	Cooling fan loose.	Reinstall.
	Connecting rod deformation making piston and cylinder bushing wear.	Replace connecting rod.
	Cylinder or piston or piston ring is worn.	Replace the worn parts.
	Improper adjustment of engine governor to produce high speed	Readjust engine governor.
	Crankshaft main bearing burnt out.	Replace main bearing.

ABNORMAL NOISE WHEN ENGINE IS RUNNING

TROUBLE	CAUSE	REMEDY
KNOCKING SOUND	Piston, piston ring or cylinder is worn.	Replace the worn part.
	Connecting rod or piston pin and piston pin hole are worn.	Replace the worn part.
	Crankshaft main neck is worn.	Replace bearing.
	Piston ring is broken.	Replace piston ring.
METAL TAPPING SOUND WHEN ABNORMAL COMBUSTION OCCURS	Too much carbon deposit in combustion chamber.	Clear away carbon deposit.
	Electrode clearance is too small.	Adjust electrode clearance.
	Excess fuel.	Check carburetor.
	Improper fuel type.	Drain fuel and replace.
	Engine is overheating.	Troubleshoot.
OTHER	Improper valve clearance.	Readjust valve clearance.
	Fly wheel is not tightly connected with the crankshaft.	Connect tightly.

Engine Specifications

MODEL	85.570.070 (225cc)	85.570.150 (420cc)
ENGINE TYPE	Single Cylinder, 4 Stroke, Forced Cooling OHV	Single Cylinder, 4 Stroke, Forced Cooling OHV
KEYED SHAFT	3/4"	1"
COMPRESSION RATIO	8:4:1	8:5:1
NET POWER OUTPUT	7.5 HP at 3600 RPM	13 HP at 3600 RPM
NET TORQUE	13 N.M at 2500 RPM	25 N.M at 2500 RPM
STARTING SYSTEM	Recoil Starter	Recoil Starter
CARBURETOR	Flat Suction Valve	Flat Suction Valve
LUBRICATION SYSTEM	Forced Splash	Forced Splash
GOVERNOR SYSTEM	Centrifugal Mechanical	Centrifugal Mechanical
AIR FILTER	Dual Element (Paper & Foam)	Dual Element (Paper & Foam)
OIL CAPACITY	0.6L	1.1L
FUEL CAPACITY	3.6L	6.7L
DIMENSIONS (MM)	440 x 350 x 355	420 x 450 x 460
NET WEIGHT	19.5 KG	33 KG



MAINTENANCE NOTES

MAINTENANCE NOTES



If you need assistance with the assembly or
operation of this engine, please call

1-866-850-6662

1-866-850-6662

Support technique:



NOTES DE MAINTENANCE

NOTES DE MAINTENANCE



MODÈLE	TYPE DE MOTEUR	ARBRE À CLE	RATIO DE COMPRESSION	PUISSANCE NETTE DE SORTIE	COUPLE NET	SYSTÈME DE DÉMARRAGE	CARBURATEUR	SYSTÈME DE LUBRIFICATION	SYSTÈME DU GOUVERNEUR	FILTRE À AIR	CAPACITÉ D'HUILE	CAPACITÉ DE CARBURANT	DIMENSIONS (MM)	POIDS NET
85.570.070 (225cc)	Cylindre simple, 4 temps, refroidissement forcé OHV	3/4"	8:4:1	7,5 HP at 3600 RPM	13 N.M at 2500 RPM	Démarrateur de recul	Soupape d'aspiration plate	Splash forcé	Centrifuge mécanique	Double élément (papier et mousse)	0,6L	3,6L	440 x 350 x 355	19,5 KG
85.570.150 (420cc)	Cylindre simple, 4 temps, refroidissement forcé OHV	1"	8:5:1	13 HP at 3600 RPM	25 N.M at 2500 RPM	Démarrateur de recul	Soupape d'aspiration plate	Splash forcé	Centrifuge mécanique	Double élément (papier et mousse)	1,1L	6,7L	420 x 450 x 460	33 KG

Spécifications

Item	Valeur	Spécifications	
		N · m	Kg · m
TENSION DES BOULONS IMPORTANTS			
Dégagement des soupapes	Entrée: 0.10-0.15mm Sortie: 0.15-0.20mm		
Dégagement des bougies d'allumage	0,7 - 0,8mm		
Boulon de raccordement	13	1,3	M6 x 1,25 (spéciale)
Vis de culasse	35	3,5	M10 x 1,25
Écrou de la flywheel	85	8,5	M14 x 1,5 (spéciale)
Écrou de blocage de l'arbre du bras oscillant	10	1,0	M6 x 0,75
Tige du bras oscillant	24	2,4	M8 x 1,25 (spéciale)
Boulon de carter	28	2,8	M8 x 1,25

INFORMATION TECHNIQUES

DÉPANNAGE

LE MOTEUR SURCHAUFFÉ

Problème	Cause	Solution
Le moteur à essence surchauffe	Volume d'huile insuffisant.	Ajoutez la bonne quantité d'huile moteur.
	Pot d'échappement bouché.	Nettoyez le pot d'échappement.
	Fuite du flasque.	Réparez les pièces endommagées.
	Grilles de sortie obstruées.	Nettoyez les grilles de sortie.
	Le ventilateur est mal fixé.	Réinstallez.
	Déformation de la bielle provoquant l'usure anormale du piston et du cylindre.	Remplacez la bielle.
	Le cylindre, le piston ou l'anneau du piston sont usés.	Remplacez les pièces usées.
	Le contrôleur du moteur est mal ajusté pour augmenter la vitesse.	Réajustez le contrôleur du moteur.
	Le roulement principal du vilebrequin est brûlé.	Remplacez le roulement principal.

Bruit anormal lorsque le moteur est en marche

Problème	Cause	Solution
Bruit de cognement	Le piston, l'anneau du piston ou le cylindre sont usés.	Remplacez la pièce usée.
	La tige de branchement ou l'attache du piston est le trou de l'attache du piston sont usés	Remplacez les pièces usées.
	L'angle principal du vilebrequin est usé.	Remplacez l'angle.
	L'anneau du piston est brisé.	Remplacez l'anneau du piston.
Bruit de métal en présence d'une combustion anormale.	Dépôt de carbone trop élevé dans la chambre de combustion.	Nettoyez.
	L'espacement de l'électrode de la bougie d'allumage est trop petit.	Ajustez l'espacement de l'électrode.
	Surplus d'essence.	Vérifiez le carburateur.
	Mauvais type d'essence.	Remplacez l'essence.
	Le moteur surchauffe.	Dépannez.
	L'espacement de la valve est inapproprié	Ajustez l'espacement de la valve.
	L'arbre à cam n'est pas bien fixé au volant.	Branchez fermement.
Autre		

DÉPANNAGE

LE MOTEUR À ESSENCE NE FONCTIONNE PAS AVEC FLUIDITÉ

Problème	Cause	Solution
Bruit de cognement	Piston, cylindre ou anneau de piston sont usés excessivement.	Remplacez.
	L'attache du piston ou le trou de l'attache sont très usés.	Remplacez le piston ou l'attache du piston
	La petite tête de la tige de connexion est usée excessivement.	Remplacez la tige de connexion.
	Le roulement de la bielle est usé.	Remplacez le roulement.
Combustion anormale	Le moteur est trop chaud.	Vérifiez et inspectez.
Dépôt de carbone trop élevé dans la chambre de combustion.	Dépôt de carbone trop élevé dans la chambre de combustion.	Nettoyez.
	Mauvais type d'essence ou niveau d'essence insuffisant.	Remplacez avec le bon type d'essence.
	Il y a de l'eau dans la chambre de flottaison.	Nettoyez.
Manque d'étincelle	Espacement des électrodes de la bougie d'allumage insuffisant.	Ajustez.
	Lanceur à rappel.	Vérifiez et remplacez les pièces défectueuses.

ARRÊTE SOUDAINEMENT LORSQU'EN MARCHÉ

Problème	Cause	Solution	
Système d'alimentation en carburant	Manque d'essence.	Ajoutez de l'essence.	
	Le carburateur est figé.	Vérifiez et nettoyez les conduits d'essence.	
	Il y a une fuite.	Réparez.	
	L'iguille de la valve reste collée.	Démontez la chambre de flottaison et nettoyez.	
Système d'allumage	La bougie d'allumage est endommagée ou court-circuitée par le dépôt de carbone.	Remplacez la bougie d'allumage.	
	Le câble de haute tension est usé ou endommagé.	Remplacez la bougie d'allumage.	
	Le fil de l'ignition est percé ou court-circuité.	Remplacez le fil d'ignition.	
	Le fil de mise à la terre est branché sur le châssis du moteur.	Relocalisez le fil de mise à la terre.	
	Le cylindre est endommagé et/ou la valve est affaissée.	Réparez ou remplacez les pièces endommagées.	
	Autre		

Dépannage LA PUissance DE SORTIE DU MOTEUR EST INSUFFISANTE

Problème	Lorsque vous augmentez la vitesse, elle augmente faiblement ou diminue et le moteur arrête.	
Cause	Mauvaise compression.	Système d'alimentation d'essence.
	Fuite d'air entre le bloc et la tête de cylindre. Espacement de la valve. Solidité de la valve.	Présence d'air dans le conduit d'essence ou le conduit principal n'est pas ajusté. Réajustez. Le trou de conduit principal n'est pas ajusté. Le carburateur, le trou de l'aiguille et le trou principal sont bouchés. Nettoyez en soufflant délicatement. La valve d'essence est bouchée. Nettoyez et remplacez les pièces usées. Trop de dépôt de carbone dans la chambre de compression. Nettoyez. Trop de dépôt de carbone dans le système et le pôt d'échappement. Nettoyez. Le filtre à air est bouché. Nettoyez l'élément du filtre à air. Le tuyau d'apport fuit. Réparez ou remplacez. Le piston, l'anneau du piston ou le cylindre sont usés. Remplacez.
Solution	Videz l'air ou nettoyez le conduit. Réajustez. Nettoyez en soufflant délicatement. Nettoyez et remplacez les pièces usées. Nettoyez. Trop de dépôt de carbone dans la chambre de compression. Nettoyez. Le filtre à air est bouché. Nettoyez l'élément du filtre à air. Le tuyau d'apport fuit. Réparez ou remplacez. Le piston, l'anneau du piston ou le cylindre sont usés. Remplacez. Fuite d'air entre le bloc et la tête de cylindre. Remplacez le joint. Espacement de la valve. Ajustez. Solidité de la valve. Réparez.	

Dépannage DÉMARRAGE DU MOTEUR (UTILISATION DU LANCEUR À RAPPEL)

Problème	Vérifiez l'espacement de la valve et serrez ou réparez au besoin.	
Cause	Bougies d'allumage normale.	Système de distribution d'essence.
	L'anneau de piston est usé. Remplacez. L'anneau de piston est brisé. Remplacez. L'anneau de piston est brisé. Nettoyez les accumulations de carbone. L'anneau de piston colle. Nettoyez les accumulations de carbone. La bougie d'allumage est mal installée ou sans rondelle. Vissez fermement avec la rondelle en place. Vérifiez le joint du cylindre et le niveau de la surface entre le bloc et la tête du cylindre. Serrez le boulon de la tête du cylindre à la bonne couple. Vérifiez l'espacement de la valve.	Fuite d'air dans la valve.
Solution	Remplacez. L'anneau de piston est brisé. Nettoyez les accumulations de carbone. L'anneau de piston est brisé. Nettoyez les accumulations de carbone. La bougie d'allumage est mal installée ou sans rondelle. Vissez fermement avec la rondelle en place. Vérifiez le joint du cylindre et le niveau de la surface entre le bloc et la tête du cylindre. Serrez le boulon de la tête du cylindre à la bonne couple. Vérifiez l'espacement de la valve et serrez ou réparez au besoin.	

DANGER

- Lorsque vous testez la bougie, ne touchez jamais au fil de haute tension avec les mains mouillées.
- Assurez vous de ne jamais faire déborder l'essence à l'extérieur du moteur et que le bougie d'allumage n'est pas en contact avec de l'essence.
- Afin de prévenir un feu, gardez les étincelles à bonne distance du trou d'installation de la bougie.

DÉMARRAGE DU MOTEUR (UTILISATION DU DÉMARREUR)

Pièce	Cause	Solution
Vérifiez le branchement de la pile.	Mauvais branchement.	Brancher correctement.
Vérifiez la pile.	Pas de charge ou charge incomplète, corrosion.	Chargez la pile ou remplacez-la.

Durée de la période d'entreposage	Procédure d'entreposage
1 Mois	Pas nécessaire.
Pas nécessaire.	
Pas nécessaire.	Drainez l'essence usée et ajoutez de la nouvelle essence
2 Mois - 1 An	Drainez l'essence usée et ajoutez de l'essence propre. Drainez l'essence (1) du carburateur. Drainez l'essence (2) à l'extérieur du réservoir à résidus.
Après 1 an	Drainez l'essence usée et ajoutez de l'essence propre. Drainez l'essence (1) du carburateur. Drainez l'essence (2) à l'extérieur du réservoir à résidus. Après un entreposage prolongé, drainez l'essence usée en premier, dans un contenant .
	Dévissez la vis du drain et drainez complètement l'essence du carburateur dans un contenant approprié puis placez la vis solide-ment. Retirez le contenant à sédiment après avoir fermé la valve d'essence et videz-le complètement. Réinstallez le contenant et vissez le.

Faites les entretiens selon le tableau suivant après un entreposage.

DÉMARRAGE DU MOTEUR (PAR UTILISATION DU LANCEUR À

RAPPEL)

Dépannage

Problème	Cause	Solution			
Étincelle normale de la bougie d'allumage.	Étincelle normale.	Étincelle normale.			
			Compression du cylindre normale.		
Quelque chose ne fonctionne pas dans le système.	Système de conduit d'essence normal.	Système de conduit d'essence normal.			
			Pas d'étincelle.		
Système de conduit d'essence normal.	Étincelle normale.	Étincelle normale.			
			Le fil de haute tension est endommagé.	Remplacez.	
			Le fil du démarreur est endommagé.	Remplacez.	
			Le magnéto perd du magnétisme.	Remplacez.	
			Espacez anormal entre le fil d'ignition et le volant.	Ajustez l'espacement.	
			Le fil de haute tension est endommagé.	Remplacez.	
	Système de conduit d'essence normal.	Système de conduit d'essence normal.	Système de conduit d'essence normal.		
				Le fil de haute tension est endommagé.	Remplacez.
				Espacez anormal entre les électrodes.	Ajustez.
				Électrodes ou isolant endommagés.	Remplacez la bougie d'allumage.
				Top de dépôt de carbone et de saleté sur les électrodes.	Nettoyez.
				Mauvais type d'huile.	Choisissez le bon type d'huile.
L'apport d'essence est irrégulier ou inexistant.	L'apport d'essence est irrégulier ou inexistant.	L'apport d'essence est irrégulier ou inexistant.			
			Il manque d'essence dans le réservoir et la valve d'essence est fermée.	Ajoutez de l'essence et ouvrez la valve.	
			La prise d'air dans le bouchon du conduit d'ajout d'essence est bloquée.	Nettoyez les grilles d'air.	
			La valve d'essence est bouchée.	Nettoyez.	
			Conduit principal d'huile bloqué.	Ajustez ou nettoyez, soufflez pour ouvrir.	
			L'aiguille de la valve n'est pas bien fermée ou le trou de démarrage est fermé.	Démontez l'aiguille de la valve et réparez, nettoyez, soufflez pour ouvrir.	
L'essence est trop souillée.	L'essence est trop souillée.	L'essence est trop souillée.			
			Présence d'eau dans l'essence.	Remplacez.	
			Top d'huile à moteur.	Drainez le surplus d'essence, essuyez les électrodes.	
			Mauvais type d'huile.	Choisissez le bon type d'huile.	
			Le flotteur est endommagé ou collant.	Réparez le flotteur.	
			L'essence est trop souillée.	Remplacez.	

Transport et entreposage
Placez toujours la valve d'essence à la position « Arrêt » (OFF) lors du transport de l'appareil. Transportez ou entreposez toujours l'appareil lorsqu'il est froid afin d'éviter les blessures et les incendies.

AVERTISSEMENT

Ne penchez pas l'appareil afin d'éviter les débordements. Les éclaboussures ou débordements pourraient prendre feu et provoquer un incendie.

Si le moteur n'est pas utilisé pour une longue période de temps, assurez-vous qu'il est entreposé de façon appropriée.

1. Assurez-vous d'entreposer l'appareil dans un endroit sec et sans

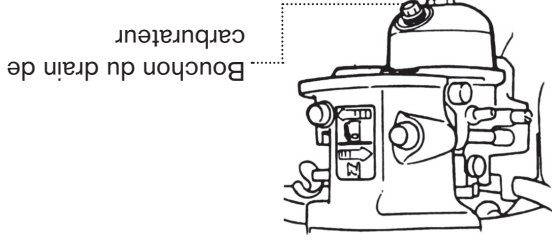
poussière et saleté.

2. Placez la valve d'essence à la position « Arrêt » (OFF) et placez un

contenant sous le carburateur (voir fig.)

3. Ouvrez la valve complètement afin de drainer l'essence du réservoir.

4. Réinstallez le bouchon du drain solidement.



⚠ DANGER

L'essence est extrêmement inflammable et explosive dans certaines conditions.



Gardez la fumée, le feu et les étincelles à distance du lieu d'utilisation.

5. Drainez l'huile du moteur.

6. Retirez la bougie d'allumage. Ajoutez approximativement 1 cuillère à

table d'huile à moteur propre dans le cylindre. Faites tourner le moteur

à l'aide du lanceur à rappel afin de distribuer l'huile. Réinstallez la

bougie d'allumage.

7. Démarreur électrique : Retirez la pile et entreposez dans un endroit sec

et frais. Rechargez tous les mois.

8. Recouvrez le moteur afin de le protéger de la poussière.

1. Retirez le couvert du filtre à air et retirez l'élément.

2. Élément de papier : Nettoyez l'élément avec un détergent domestique et de l'eau tiède (Ou non inflammable ou avec un détergent à

température d'inflammation élevée.) et séchez le.

Élément en mousse: Immergez le dans l'huile jusqu'à ce qu'il soit

imbibé complètement. Essorez l'excès d'huile pour que le moteur ne

produise pas de fumée pendant la période de démarrage.

3. Nettoyez le couvercle du filtre à air avec un linge humide. Assurez-vous

de ne pas laisser de saleté entrer dans le carburateur.

4. Réinstallez l'élément et replacez le couvercle du filtre.

Bougie d'allumage

Type de bougie d'allumage: BPR6ES (NGK) ou NHSP LD F7RTC

Afin d'assurer un fonctionnement normal de l'appareil, l'espacement de la bou-

gie d'allumage doit être en conformité avec les spécifications et il ne doit pas

avoir de dépôts au tour de la bougie.

1. Retirez le capuchon de la bougie.

2. Nettoyez toute saleté autour de la base de la bougie d'allumage.

3. Dévissez la bougie à l'aide d'une clé appropriée, prévue à cet effet.

4. Vérifiez la bougie visuellement. Nettoyez la avec une brosse d'acier. Si

l'isolant est endommagé, remplacez la bougie.

5. Mesurez l'espacement de la bougie. Il devrait être de 0,7-0,8mm. Si

un ajustement est nécessaire, pliez l'électrode délicatement.

6. Vérifiez si le joint de la bougie d'allumage est en bonne condition. Afin

d'éviter d'endommager le filet, vissez-la à la main.

7. Vissez la bougie d'allumage en premier à la main et utilisez la clé afin

de compressez le joint.

• Si la bougie est neuve, tournez ½ tour après la compression du

joint.

• Si la bougie est usagée, tournez 1/8-1/4 tour.

⚠ WARNING



Afin d'éviter des brûlures, ne touchez pas au pot d'échappement.

La bougie d'allumage doit être vissée solidement car elle pour devenir très chaude et endommager le moteur.

AVIS

Calendrier d'entretien

Afin de garder votre moteur à essence en bonne condition de marche, un entretien régulier et un ajustement du moteur doivent être effectués. Suivez le calendrier d'entretien suivant :

Calendrier d'entretien		Chaque utilisation	Premier mois ou saison ou 20 hrs. chaque	Chaque saison ou 50hrs	Tous les 6 mois ou 100hrs	Chaque an ou 300hrs
Changement d'huile	Vérification du niveau d'huile	○				
	Remplacerez	○				
Huile d'engrenage	Vérification du niveau d'huile	○				
	Remplacerez		○			
Filtre à air	Vérifiez		○			
	Remplacerez			○		
Assiette de dépôt	Nettoyez			○		
	Remplacerez				○	
Bougie d'allumage	Nettoyez /Ajustez			○		
	Remplacerez				○	
Pare-étincelle	Nettoyez				○	
	Au ralenti	Vérifiez /Ajustez			○	*
Espacement de valve	Vérifiez /Ajustez				○	*
	Nettoyez					○
Réservoir et filtre d'essence	Nettoyez					○
	Conduit d'essence	Vérifiez				
Tête de cylindre & tête de piston	Nettoyez le carbone.					Toutes les 125 heures*

* Ces pièces devraient être entretenues par votre service d'entretien autorisé, à moins que vous ayez les outils appropriés ainsi que les compétences mécaniques.

! DANGER



Les émissions du système d'échappement contiennent des émanations de monoxyde de carbone qui sont toxiques et leur inhalation peut entraîner de graves blessures, même la mort.

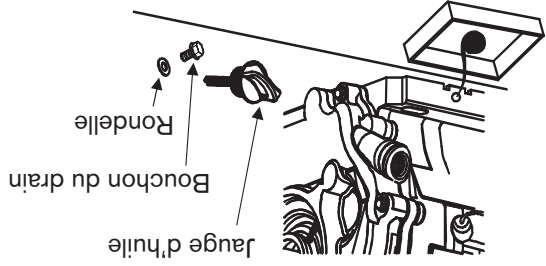
Si vous devez faire un entretien alors que le moteur est en marche, assurez vous de toujours garder une ventilation appropriée dans l'espace de travail.

REMPLACEMENT DE L'HUILE À MOTEUR

1. Drainez l'huile du moteur rapidement et complètement lorsque le moteur est chaud. Rappelez vous que les surfaces chaudes peuvent causer de graves blessures.
2. Dévissez le bouchon d'huile et le bouchon du drain pour vider le moteur entièrement. Réinstallez solidement le bouchon du drain.
3. Ajoutez de l'huile du bon type jusqu'à la marque supérieure.
4. Réinstallez le bouchon d'huile.

AVERTISSEMENT

Ne jetez pas les contenant d'huile ni l'huile à moteur usée dans les poubelles ou dans le sol. Afin de protéger l'environnement, nous vous suggérons de disposer de l'huile moteur dans un centre de recyclage.



NETTOYAGE DU FILTRE À AIR

Un filtre à air sale pourrait restreindre l'entrée d'air dans le carburateur. Pour garder le carburateur en bonne condition de marche, entretenez le filtre à air régulièrement. Si vous utilisez l'appareil dans un environnement très poussiéreux, l'entretien devrait être fait plus régulièrement.

! DANGER



Ne nettoyez jamais l'élément avec de l'essence ou avec un détergent car une explosion pourrait arriver.

AVERTISSEMENT

Ne faites jamais fonctionner l'appareil sans filtre à air. Les saletés et la poussière entrant dans le moteur peuvent causer une usure prématurée de l'appareil.

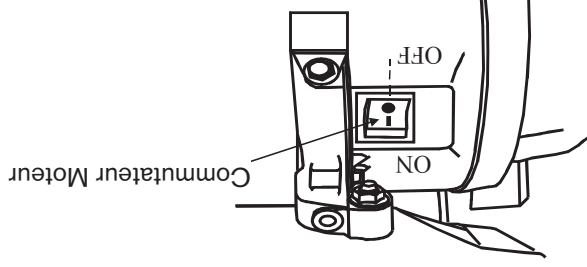
Arrêt du moteur

En cas d'urgence, placez l'interrupteur moteur à la position « OFF », (Arrêt) Pendant une utilisation normale :

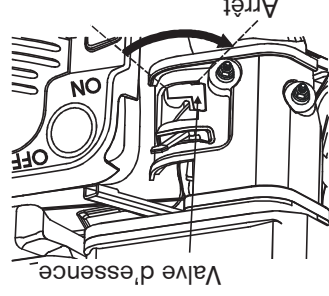
1. Poussez le levier de vitesse vers la droite pour ralentir la vitesse du moteur.



2. Placez ensuite l'interrupteur du moteur à la position « OFF » (Arrêt)



3. Placez la valve d'essence à la position « OFF » (Arrêt)

**NOTICE**

L'arrêt soudain du moteur à haute vitesse sous une charge important en-
dommagera le moteur.

Système de contrôle du système d'échappement
Lorsque le moteur est en marche, le monoxyde de carbone, l'oxyde de nitrogène et les hydrocarbures émanant du fonctionnement pour-
raient, dans certaines conditions, créer une fumée blanche, toxique, et
doit être contrôlé.

Afin de garder l'efficacité du système d'échappement et de respecter
les standards d'émissions, veuillez porter attention aux suivantes :

1. ENTRETIEN

Entretenez le moteur périodiquement, en fonction du calendrier
d'entretien. Ce dernier est conçu en fonction d'une utilisation
normale. Si vous l'utilisez avec de grosses charges, dans un
environnement poussiéreux ou humide, ou très chaud, l'entretien
devrait être plus fréquent.

2. PROBLÈME AFFECTANT LES ÉMISSIONS DU SYSTÈME**D'ÉCHAPPEMENT**

- Démarrage ou arrêt difficiles
- Vitesse de fonctionnement inconsistante.
- Gaz d'échappement noir ou consommation d'essence élevée.
- Étincelles de démarrage faibles ou rétro-explosion.
- Ignition anticipée

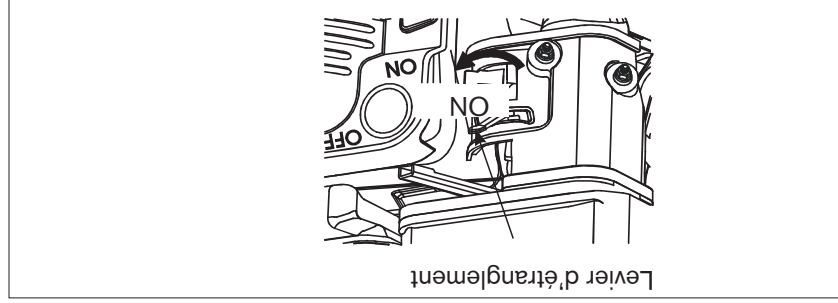
Si un des problèmes ou symptômes ci haut se présente, contactez
votre détaillant pour obtenir de l'aide.

Utilisation en haute altitude
En haute altitude, le mélange air/essence sera trop riche. La performance diminuera et la consommation d'essence augmentera. Un mélange très riche endommagera la bougie d'allumage et rendra le démarrage difficile. Les performances en haute altitude peuvent être augmentées en apportant des modifications spécifiques au carburateur. Si vous devez utiliser votre appareil dans des conditions à plus de 1000 mètres d'altitude, demander à votre détaillant. Ces modifications ne seront pas couvertes par la garantie.

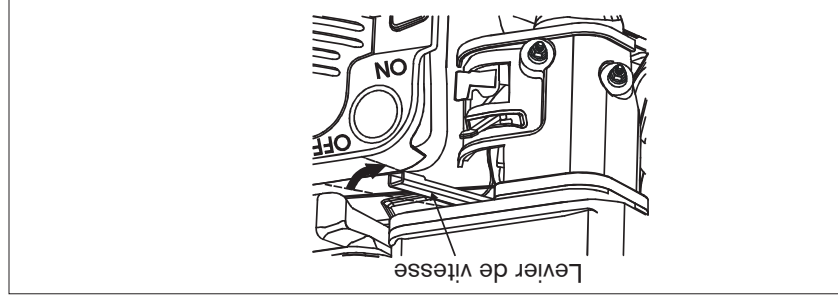
AVIS

Les moteurs modifiés pour l'utilisation en haute altitude seront grandement dans les altitudes en dessous de 1000 mètre car il surchauffera à cause du mélange trop pauvre. La surchauffe du moteur pourrait causer de graves dommages au moteur.

Utilisation du moteur
1. Laissez le moteur chauffer et replacez le levier d'étranglement à la position « Ouverte ».



2. Placez le levier de vitesse à la position appropriée selon vos besoins de vitesse du moteur.



ALARME DU NIVEAU D'HUILE MOTEUR

L'alarme du niveau d'huile moteur est conçue pour s'activer lorsque le niveau d'huile dans le moteur est insuffisant. Le manque d'huile peut endommager le moteur.

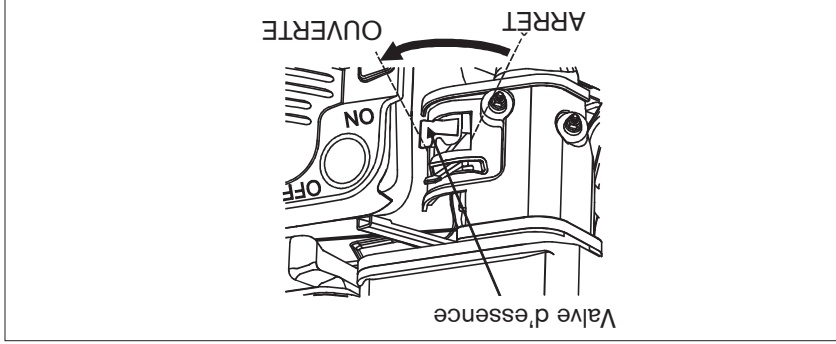
Lorsque le niveau d'huile est trop bas, le système d'alarme de niveau d'huile arrêtera le moteur automatiquement afin de réduire les dommages, même si l'interrupteur du moteur est toujours à la position « ON ».

AVIS

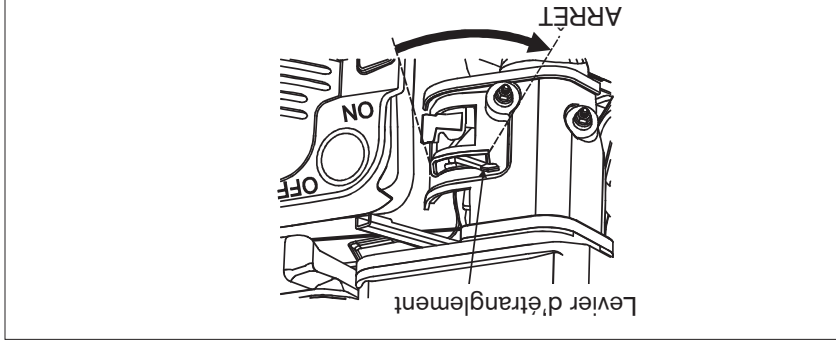
Si vous ne pouvez redémarrer le moteur, vérifiez le niveau d'huile en premier.

Démarrage du moteur

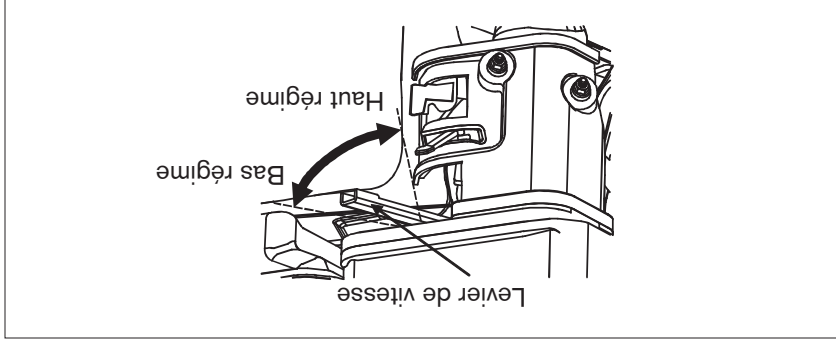
1. Placez la valve à la position « ON » (ouverte).



2. Tournez le levier d'étranglement à la position « FERMÉ » (OFF). Si le moteur est chaud, ne fermez pas le levier d'étranglement.

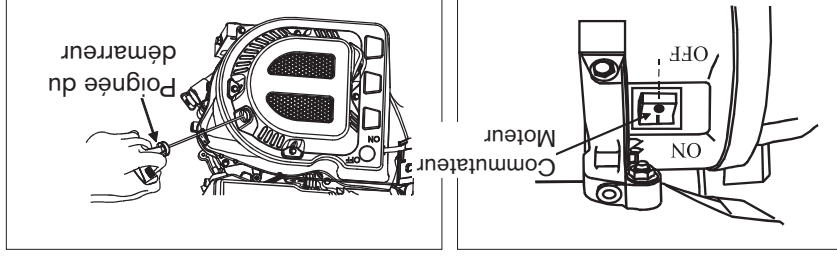


3. Placez le levier de vitesse vers la gauche.



4. Démarrez le moteur.

Lanceur à rappel : Placez l'interrupteur moteur à la position « On » (ouvert). Tirez doucement sur la poignée du démarreur jusqu'à ce que vous sentiez de la résistance. Tirez ensuite brusquement.

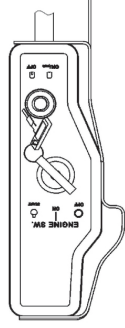


AVIS

Ne laissez pas la poignée retourner par elle-même en frappant le moteur. Retournez-la en la tenant pour éviter les dommages au moteur.

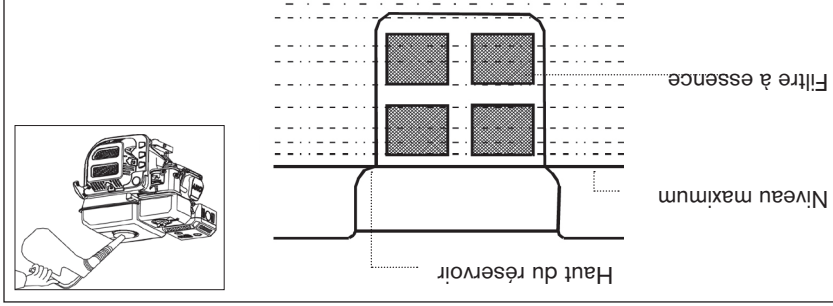
Démarrage électrique (si applicable): Placez l'interrupteur du moteur à la position « Marche » et tenez la dans cette position jusqu'à ce qu'au démarrage. Lorsque le moteur est en marche, laissez l'interrupteur retourner à la position « On ».

Commutateur Moteur



AVIS

Ne laissez pas l'interrupteur dans la position de démarrage plus de 5 secondes ou le moteur pourrait être endommagé. Si le moteur ne démarre pas, relâchez l'interrupteur et attendez 10 secondes avant de réessayer.



Capacité du réservoir d'essence

AVERTISSEMENT

L'essence peut endommager la peinture à l'huile et le plastique. Assurez vous de ne pas renverser d'essence.

Tout dommage causé par de l'essence renversé n'est pas couvert par la garantie.

Les « cognements légers » ou « l'explosion d'étincelle » peuvent être entendu lors que le moteur est en surcharge et c'est normal. Si de tels bruits sont entendus pendant une utilisation normale avec une charge moyenne, changez de marque d'essence. Si la situation ne s'améliore pas, consultez un détaillant.

AVERTISSEMENT

Lorsque le moteur est en marche, des cognements et des explosions d'étincelle endommageront le moteur.

Ce type de problème n'est pas couvert par la garantie.

FILTRE À AIR

Démontez le couvercle du filtre à air et vérifiez l'élément afin de vous assurer qu'il est propre et en bonne condition. Nettoyez ou remplacez-le au besoin.

AVERTISSEMENT

Ne faites jamais fonctionner le moteur sans filtre à air car vous en-dommageriez le moteur. Ce n'est pas couvert par la garantie.

CONSIGNES CONSERNANT L'ESSENCE

1. Retirez le bouchon du réservoir d'essence et vérifiez le niveau.
2. Si le niveau est trop bas, ajoutez de l'essence. Ajoutez de l'essence jusqu'en dessous du coude.

DANGER

L'essence est extrêmement inflammable et explosive dans certaines conditions.

Ajoutez toujours de l'essence dans un endroit bien aéré, le moteur éteint. Ne fumez pas ou ne laissez pas de flamme nue ou d'étincelle à proximité du lieu où vous ajoutez de l'essence ou entreposez l'appareil.

N'ajoutez pas d'essence au-dessus du niveau maximal (pas au-dessus du coude du tube du réservoir). Assurez-vous que le bouchon est bien fixé. Assurez-vous de ne pas créer d'éclaboussures lorsque vous ajoutez de l'essence.



DANGER

Évitez les contacts répétés ou prolongés avec votre peau ou l'inhalation des vapeurs d'essence.

Gardez hors de la portée des enfants.



DANGER

N'ajoutez pas d'essence au-dessus de la limite du réservoir. Il ne devrait pas y avoir d'essence dans le coude du coude d'ajout d'essence. Après l'ajout d'essence, assurez-vous de bien replacer le bouchon du réservoir.

⚠ DANGER

Gardez hors de la portée des enfants.

AVERTISSEMENT

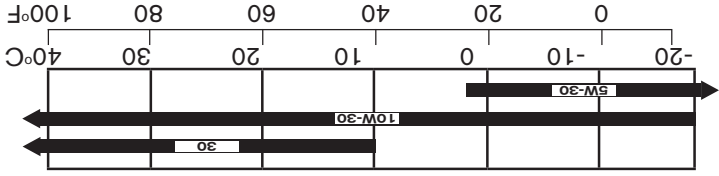
- Ne n'ajoutez pas de l'eau du robinet dans la pile. Vous devez ajouter de l'eau distillée, sans quoi, la durée de vie de la pile sera réduite.
- N'ajoutez pas d'eau distillée au delà de la marque supérieure de l'électrolyte. Ne pas respecter cette consigne pourrait provoquer des fuites de l'électrolyte qui endommagera les pièces du moteur. S'il devait y avoir une fuite, assurez-vous de nettoyer le tout avec de l'eau.
- Assurez-vous de ne pas brancher les bornes de la pile dans le sens contraire car vous causeriez un court-circuit.

Inspection Pré-Utilization
HUILE MOTEUR
⚠ ATTENTION

Utilisez de l'huile à moteur à 4 temps, de classification SE par API ou l'équivalent. Vérifiez l'étiquette API sur le contenant d'huile afin de vous assurer qu'il contient les l'inscription « Classe SE » ou équivalent.

SAE 10W-30 est recommandé pour un usage général. D'autres viscosités indiquées dans le tableau peuvent être utilisées lorsque la température moyenne dans votre région se situe dans la plage indiquée.

Indices de Viscosité SAE

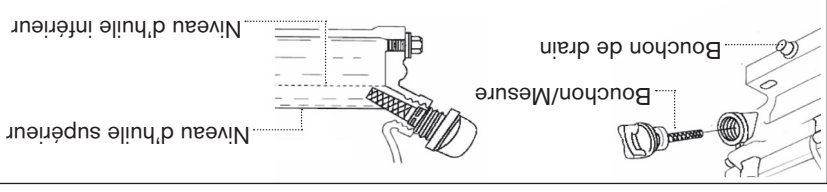


Température Moyenne Ambiante

Vérification du niveau d'huile

Processus de vérification

- 1 Retirez le bouchon/mesure et nettoyez-le.
- 2 Réinsérez le bouchon/mesure sans le visser et retirez-le pour vérifier le niveau d'huile.
- 3 Si le niveau d'huile est trop bas, ajoutez le type d'huile recommandé.
- 4 Réinstallez le bouchon/mesure.
- 5 Capacité d'huile :

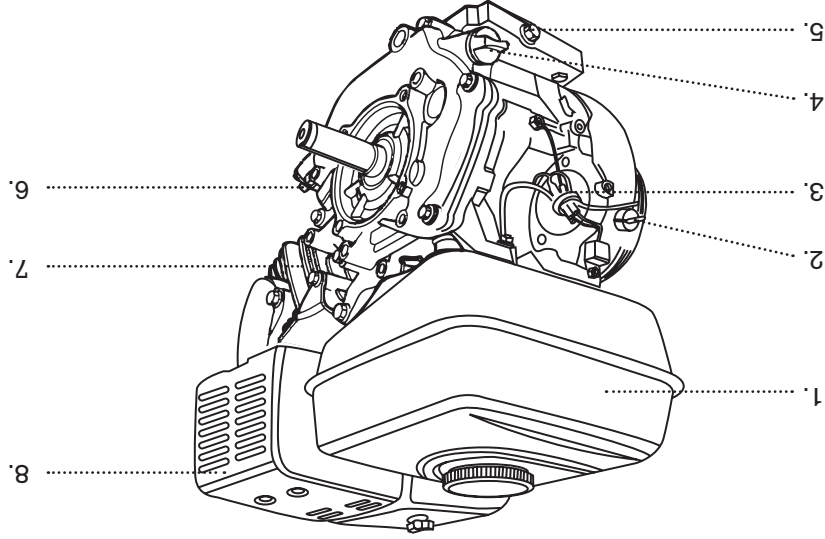


AVERTISSEMENT

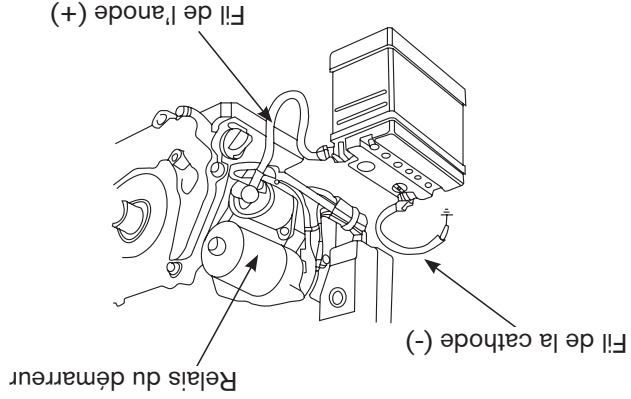
Faire fonctionner l'appareil sans la quantité d'huile suffisante pourrait endommager le moteur à essence de façon importante et, ne sera pas couvert par la garantie.



1. Réservoir de gaz
2. Commutateur de moteur
3. Câblage
4. Jauge d'huile
5. Bouchon de vidange d'huile
6. Bouchon d'huile
7. Bougie d'allumage
8. Echappement / silencieux



Branchement de la pile
 Utilisez des piles de 12V et plus de 18Ah. Branchez la borne positive de la pile au terminal de relais du démarreur et la borne négative à la vis de montage, ou toute autre vis de mise à la terre du moteur. (Voir l'image)
 Vérifiez les branchements de la pile. Assurez-vous qu'ils sont fixés solidement et qu'ils ne sont pas rouillés. S'ils le sont, débranchez et nettoyez.



DANGER



La pile peut émettre des vapeurs explosives. Gardez les étincelles, flamme et cigarette à distance.

DANGER



La pile contient de l'acide sulfurique (électrolyte). Le contact avec la peau ou les yeux pourrait entraîner de graves brûlures. Si les électrolytes entrent en contact avec votre peau, rincez abondamment avec de l'eau. En cas de contact avec les yeux, rincez abondamment pendant au moins 15 minutes et contactez immédiatement un médecin.

DANGER



Les électrolytes sont poisons. En cas d'ingestion, buvez une grande quantité d'eau, du lait suivi de lait de magnésie, ou de l'huile végétale et consultez un médecin.



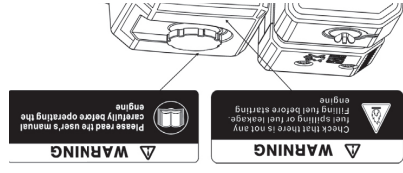
▲ DANGER

Indique une possibilité d'invalider la garantie en plus d'endommager l'appareil ou même entraîner de graves blessures.

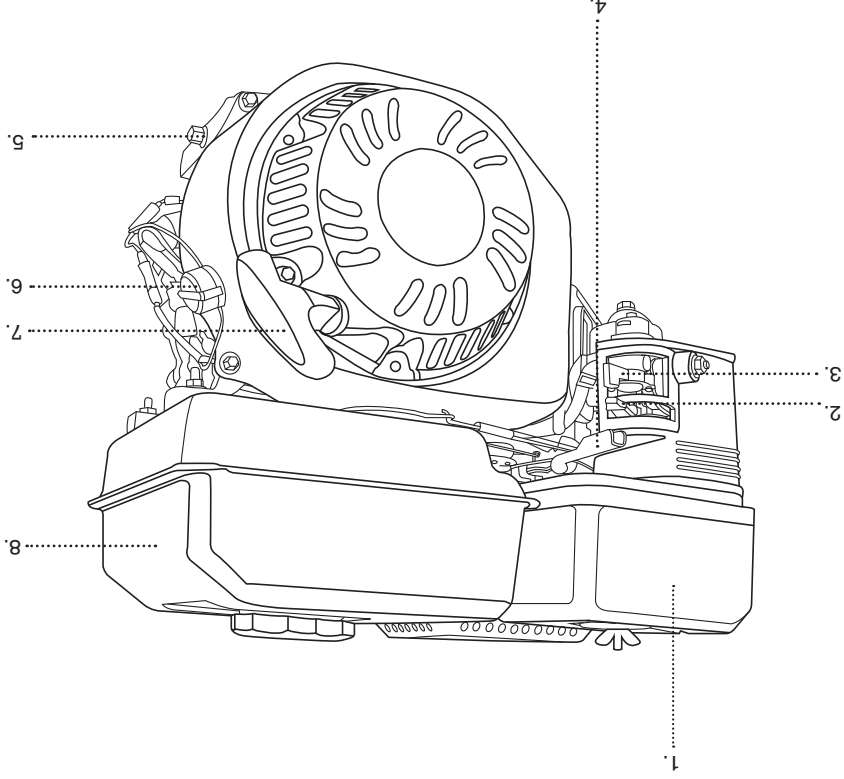
Veuillez porter une attention particulière aux consignes suivantes :

- Ne surchargez pas ou n'utilisez pas abusivement l'appareil, ou ne le faites pas fonctionner avec un niveau de charge bas à une vitesse basse pour une longue durée.
- Utilisez de l'essence propre, sans plomb.
- Gardez le filtre à essence propre.
- Changez l'huile périodiquement.
- Vérifiez périodiquement le levier d'entraînement, ses branchements et sa solidité. Vissez au besoin.
- Nettoyez périodiquement le filtre à air. Remplacez-le au besoin.
- Le moteur à essence est refroidi à l'air. Au besoin, nettoyez le radiateur, le ventilateur et/ou la grille de ventilateur afin de permettre un approvisionnement en air adéquat au moteur.
- L'utilisateur doit se familiariser avec les principes d'utilisation et la structure du moteur à essence, incluant la connaissance du processus d'arrêt d'urgence ainsi que les méthodes d'utilisation des différents contrôles. Toute personne n'ayant pas pris connaissance du guide ou n'ayant pas eu de formation ne devrait pas utiliser cet appareil.
- Utilisez toujours l'appareil dans un endroit bien aéré, en le gardant à une distance minimale d'un mètre de tout mur ou autre équipement. Afin de prévenir contre les incendies, gardez l'appareil à distance de produits inflammables tels que l'essence et les allumettes.
- Ajoutez toujours de l'essence dans un endroit bien aéré lorsque le moteur est arrêté. Ne fumez pas et ne laissez aucune flamme nue ou des étincelles entrer dans l'espace de travail.
- N'ajoutez pas d'essence au-dessus du niveau prévu afin d'éviter les débordements et éclaboussures. S'il y en avait, assurez-vous de les essuyer avant de redémarrer le moteur.
- Ne faites pas fonctionner l'appareil à l'intérieur d'un endroit clos tel qu'un bâtiment, une maison ou un cabanon.
- Le système d'échappement devient très chaud pendant l'utilisation et le moteur reste chaud longtemps après son arrêt. Ne touchez jamais à ces pièces car vous pourriez vous brûler gravement. Transportez ou entreposez l'appareil uniquement lorsqu'il est complètement refroidi.

Lisez et suivez toutes les étiquettes de sécurité AVANT d'utiliser l'appareil. BE n'acceptera aucune responsabilité pour les blessures ou dommages d'équipement étant lié aux avertissements sur les étiquettes.



Lisez ce guide de l'utilisateur et les règles de sécurité AVANT d'utiliser l'appareil.



1. Filtre à air
2. Levier de starter
3. Levier de soupape de carburant
4. Levier d'accélérateur
5. Bouchon de vidange d'huile
6. Interrupteur ON / OFF
7. Démarreur de recul
8. Réservoir de carburant

Enregistrez le numéro d'identification

Moteur

Si vous avez besoin de contacter un Détaillant Autorisé ou le Service à la clientèle (1-866-850-6662) pour de l'information sur l'entretien, veuillez toujours fournir le modèle de l'appareil et les numéros d'identification.
Vous pourrez trouver ces numéros sur l'appareil aux endroits suivants :

Date d'achat:

Nom du détaillant:

Numéro de téléphone du détaillant:

Numéro d'identification de produit


Numéro de modèle:

Numéro de série:

Conservez ces consignes de sécurité

CONSEILS DE SÉCURITÉ

Voici le symbole d'alerte de sécurité. Il est utilisé pour vous prévenir de risques potentiels de blessure corporelle. Observer toutes les consignes de sécurité suivant ce symbole afin d'éviter des blessures éventuels ou la mort.



Le symbole d'alerte de sécurité (▲) est utilisé avec un mot d'alerte (Danger, Avertissement, Attention), une illustration et/ou un message de sécurité pour vous avertir de danger.

DANGER NE PAS suivre cette consigne pourrait entraîner LA MORT.	ATTENTION NE PAS suivre cette consigne pourrait entraîner DES BLESSURES.	AVERTISSEMENT NE PAS suivre cette consigne pourrait endommager le moteur, la génératrice ou tout autre objet ou bâtiment à proximité.	AVIS Contient des informations pertinentes et utiles.
--	---	--	--

SYMBOLES DE RISQUE ET SIGNIFICATIONS

			
EXPLOSION	INCENDIES	ELECTROCUTION VAPEURS TOXIQUE	CHUTE
			
CONTRECOUP	SURFACE CHAUD	PORTER DES LUNETTES DE PROTECTION	INJECTION DE LIQUIDE
			
SOL GLISSENT	LIRE LE MANUEL	PIÈCES À ROTATION	CHUTE

20 Problème affectant les émanations du système d'échappement

Entretien

21 Calendrier d'entretien

22 Remplacement de l'huile moteur

22 Entretien du filtre à air

23 Bougie d'allumage

Transport et entreposage

24 Transport et entreposage

Dépannage

26 Démarrage du moteur (par lanceur à rappel)

27 Démarrage moteur électrique (par démarreur électrique)

28 Puissance de sortie insuffisante du moteur à essence.

29 Le moteur à essence fonctionne anormalement.

29 Le moteur arrête subitement de fonctionner.

30 Le moteur surchauffe

30 Bruit anormal lorsque le moteur est en marche

Spécifications

31 Spécifications

31 Ajustement des données

31 Couple des boulons importants

Spécifications

32 Spécifications

32 Ajustement des données

32 Couple des boulons importants

Attention: Lisez le guide de l'utilisateur entièrement avant d'utiliser l'appareil pour la première fois.



Utilisation du guide de l'utilisateur

Merci d'avoir choisi notre modèle de génératrice à essence pour utilisation générale.

Ce guide de l'utilisateur contient de l'information concernant l'utilisation et l'entretien des modèles de génératrices à es-

sence. Assurez-vous de le lire attentivement avant d'en faire l'utilisation.

Les consignes contenues dans ce guide peuvent aider l'utilisateur à obtenir de meilleurs résultats d'utilisation tout en

portant favorisation une utilisation sécuritaire.

Toutes les informations et diagrammes contenus dans ce guide correspondent aux modèles les plus récents au moment

de la publication. Nous mettons beaucoup d'efforts afin que ces informations soient le plus exact possible. BE PRESSURE

SUPPLY se réserve le droit de modifier ce guide de l'utilisateur, en tout ou en partie, sans avis préalable ni obligation.

Assurez-vous de toujours garder ce guide avec l'appareil,

même s'il change de propriétaire.

4	Introduction
4	Utilisation du guide de l'utilisateur
5	Enregistrement du numéro d'identification du produit.
6	Consignes de sécurité
6	Signification des symboles de sécurité
8	Description des pièces
8	Schéma des pièces
8	Liste des pièces
10	Branchement de la pile
10	Branchement de la pile
12	Huile moteur
12	Vérification du niveau d'huile
13	Filtre à air
13	Recommandation d'essence
15	Démarrage du moteur
16	Lanceur à rappel
17	Mise en marche du moteur
17	Alarme de niveau d'huile
18	Utilisation en haute altitude
19	Arrêt du moteur
20	Contrôle du système d'échappement
20	Entretien

MANUEL UTILISATEUR

85.570.070
85.570.150



MOTEUR À ESSENCE

