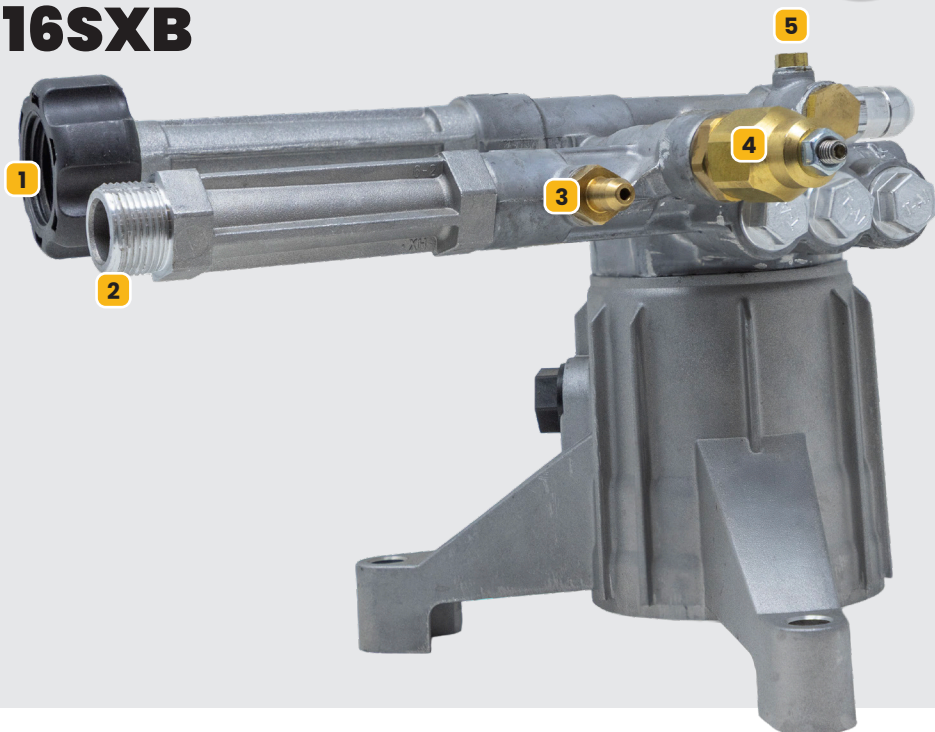


CENTURION P1 DIRECT DRIVE AXIAL 3000 PSI 2.2GPM PRESSURE WASHER PUMP – 85.129.116SXB



Proven reliability and efficient, durable performance in a super lightweight package - that's what you get when you build a pump for the pros to use with their gas engines.



1. 3/4" INLET FOR GARDEN HOSE
2. M22 HIGH PRESSURE HOSE OUTLET
3. FIXED CHEMICAL INJECTION PORT
4. BUILT-IN UNLOADER
5. THERMAL RELIEF VALVE

PMR / PUMPS
MADE READY

MAX PSI
3,000



2.2 GPM
FLOW



7/8"
KEYED SHAFT



DIRECT DRIVE
GAS



TECH SPECS

PUMP STYLE: Axial

MAX PSI: 3,000

MAX GPM: 2.2

UNLOADER TYPE: Built-in

INLET SIZE: 3/4" Garden Hose Fitting (GHF)

DISCHARGE SIZE: M22 Threaded Connection

RPM: 3,400

MAX INLET TEMPERATURE: 43°C / 110°F

PMR PART #: 85.129.116SXB

PUMP MODEL: CAG2

DRIVE TYPE: Direct Drive (Gas)

SHAFT SIZE: 7/8"

PLUNGER (PISTON): Tempered Steel

SOAP INJECTOR: Fixed

MANIFOLD TYPE: Aluminum

THERMAL RELIEF VALVE: 85.300.022

OIL CAPACITY: 2.2 fl oz

OIL TYPE: 30W non-detergent

WEIGHT: 7.3 lbs

WARRANTY: 5 years



PMR configuration available with unloader, discharge, 3/8" QC outlet, 3/4" garden hose inlet, thermal relief valve, and adjustable soap injector (not all fittings pictured).
Bare pumps do not include the above fittings.

SCAN HERE
TO LEARN
MORE ABOUT
THIS PUMP



www.CENTURIONPUMP.COM

UPC 777987413238